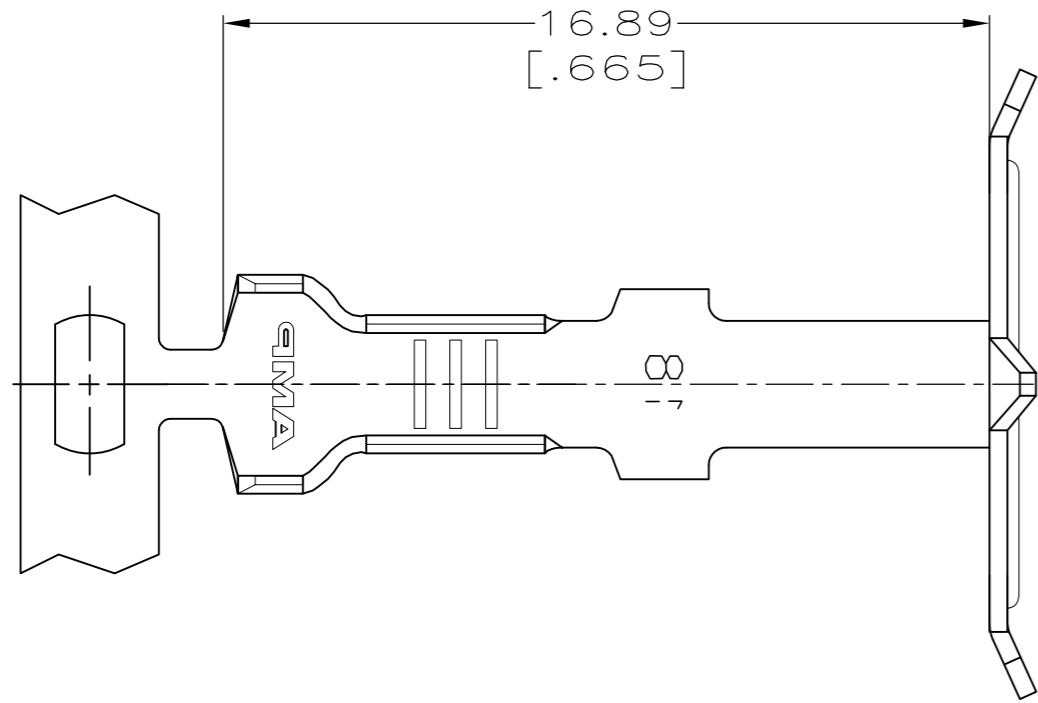
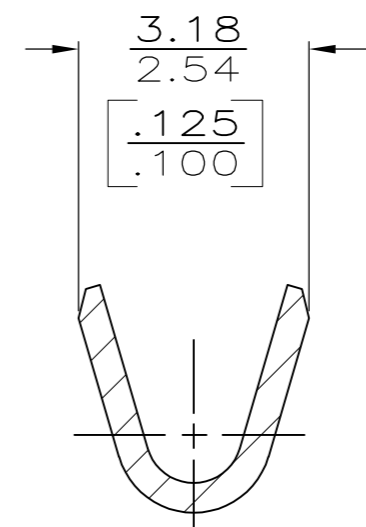
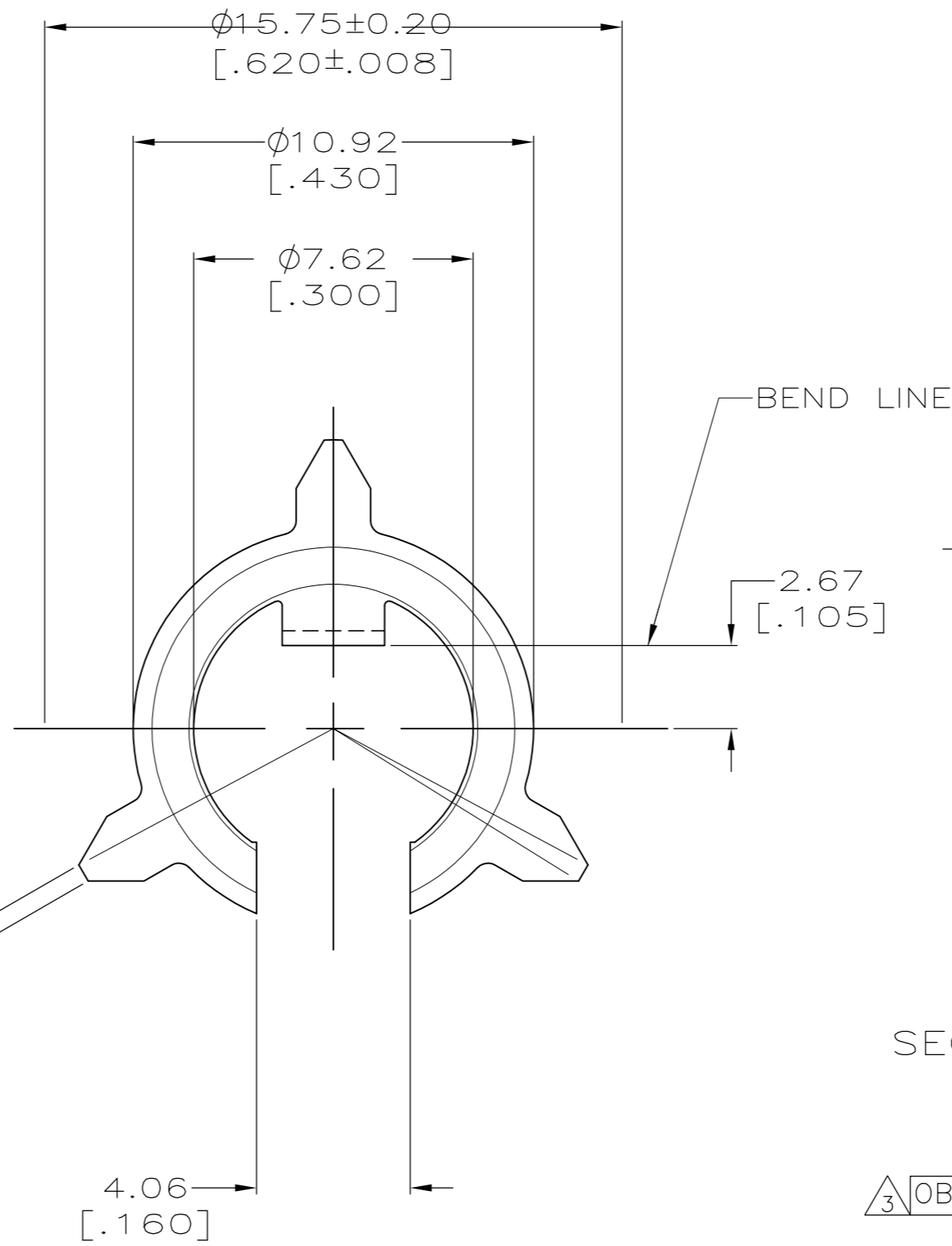
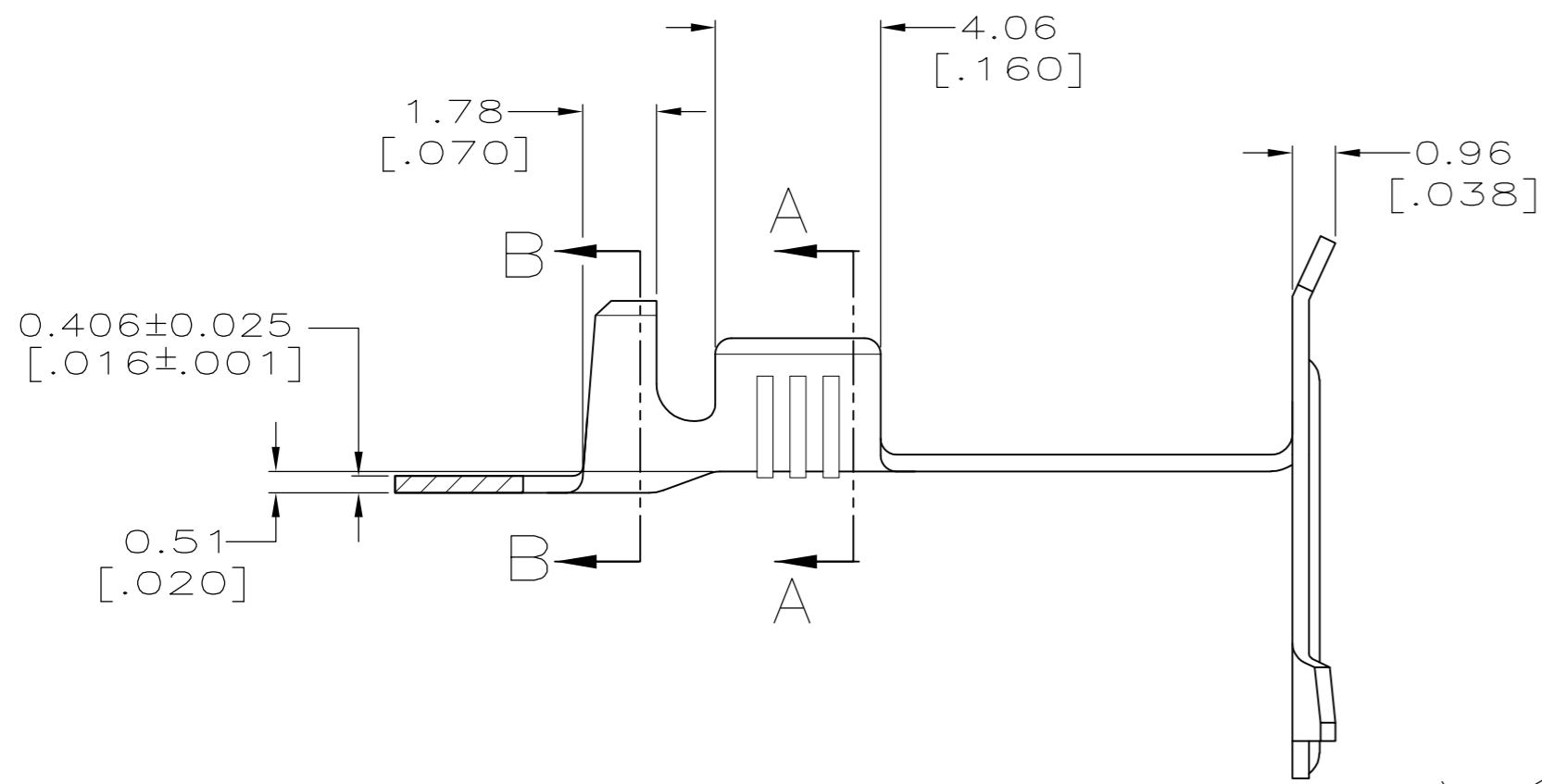


THIS DRAWING IS UNPUBLISHED. RELEASED FOR PUBLICATION .19
 © COPYRIGHT 19 BY AMP INCORPORATED. ALL RIGHTS RESERVED.

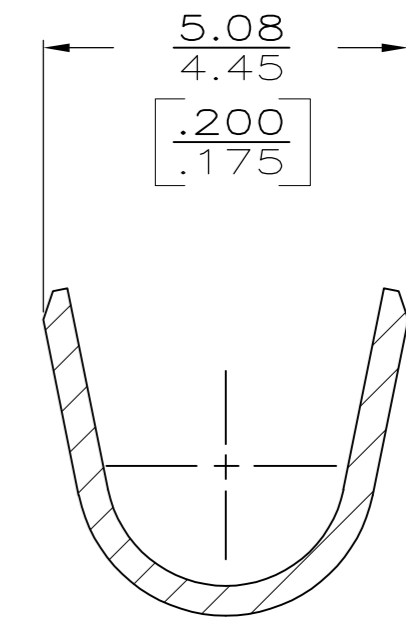
LOC	DIST	REVISIONS			
P	LTR	DESCRIPTION	DATE	DWN	APVD
AF	50				
		E	REVISED AND REDRAWN PER OG1A-0351-98	05OCT98	PF DD
		E1	REVISED PER ECO-09-020932	07SEP09	KK AEG



- 1 CONTINUOUS STRIP ON REEL.
- 2 P/N 61760-2 IS REVERSE REELED.
- 3 OBSOLETE PARTS: OBSOLETE CIS STREAMLINING PER D.RENAUD/D.SINISI



SECTION A-A
SCALE 10:1



SECTION B-B
SCALE 10:1

3 OBSOLETE	3.56 [0.140] MAX DIA	20-16 AWG	2 61760-2
	INSULATION RANGE	WIRE RANGE	61760-1
			PART NUMBER

THIS DRAWING IS A CONTROLLED DOCUMENT.		DWN 05OCT98 PHILLIP M FORTNEY	AMP Incorporated Harrisburg, PA 17105-3608	
DIMENSIONS: mm [INCHES]		CHK 05OCT98 JEFF R RUTH	NAME	
TOLERANCES UNLESS OTHERWISE SPECIFIED:		APVD 05OCT98 DONALD DECKER	PRODUCT SPEC	
0 PLC ±-		APPLICATION SPEC		
1 PLC ±-		-		
2 PLC ±0.25 [0.010]		SIZE CAGE CODE DRAWING NO RESTRICTED TO		
3 PLC ±-		A2 00779 C- 61760		
4 PLC ±-		SCALE SHEET OF REV		
ANGLES ±-		6:1 1 1 E1		
FINISH 0.003302 [0.00130]		CUSTOMER DRAWING		
#4HD PHOS BRONZE MAX PRE-TIN PLATE		WEIGHT -		