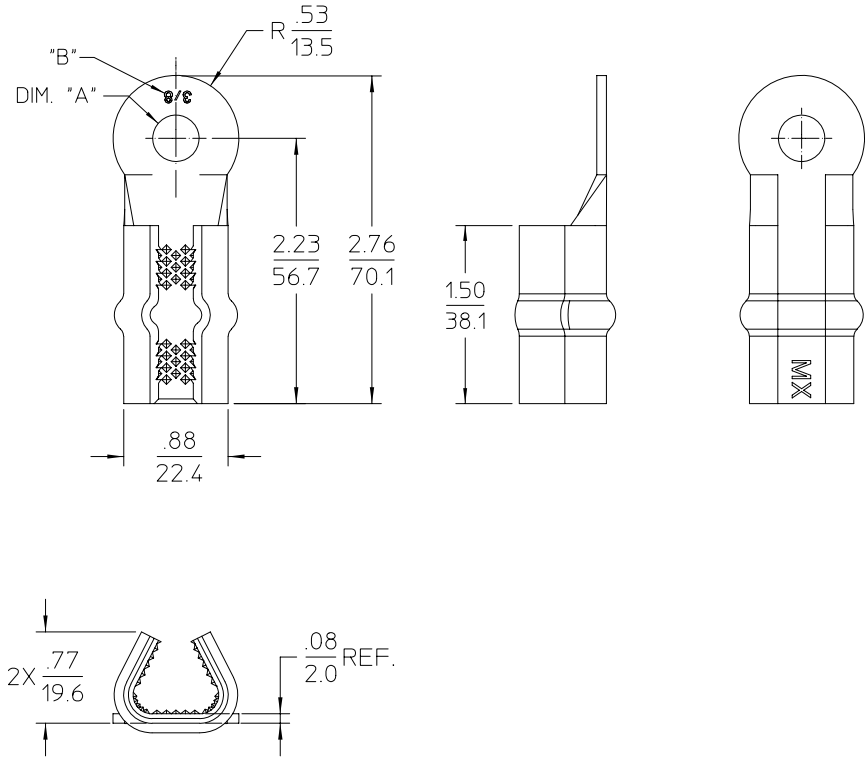
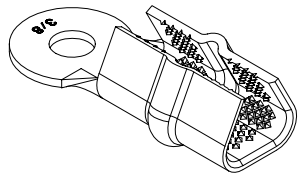


MATERIAL NUMBER	DIM A	"B"
191951034	∅.390/9.91	3/8
191951040	∅.515/13.08	1/2



NOTES:

1. MATERIAL: COPPER ALLOY.
2. FINISH: ELECTRO TIN PLATE.  
THICKNESS=100MNCHES MINIMUM.
3. PRODUCT SPECIFICATION: PS-19195-001.
4. PART USED TO CONNECT COPPER OR ALUMINUM SINGLE MAGNET WIRE OR MULTIPLE WIRE COMBINATIONS.
5. COMBINATIONS OF WIRES ARE EITHER MAGNET WIRE TO MAGNET WIRE OR MAGNET WIRE TO LEAD WIRE.

ETC NO: ETC2003-0089 DRWN: JPAWLICK 2002/09/27 CHKD: JPAWLICK 2002/09/27 APPR: RDEROSS 2002/09/27	QUALITY SYMBOLS ▽ = 0 ▽ = 0	GENERAL TOLERANCES (UNLESS SPECIFIED)		SCALE 1:1	DESIGN UNITS INCH	THIRD ANGLE PROJECTION	REVISE ON CAD ONLY		
		4 PLACES ± --- ± ---	3 PLACES ± --- ± ---	DIMENSION STYLE IN/MM		TITLE MAGKRIMP ROUND RING 50,000-115,000 CMA			
		2 PLACES ± --- ± .010	1 PLACE ± 0.25 ± ---	DRAWN BY JPAWLICK	DATE 02/03/25	MOLEX INCORPORATED			
		ANGULAR ± 2 °		CHECKED BY JPAWLICK	DATE 02/03/25	MATERIAL NO SEE CHART	DOCUMENT NO SD-19195-014	SHEET NO 1 OF 1	THIS DRAWING CONTAINS INFORMATION THAT IS PROPRIETARY TO MOLEX INCORPORATED AND SHOULD NOT BE USED WITHOUT WRITTEN PERMISSION
DRAFT WHERE APPLICABLE MUST REMAIN WITHIN DIMENSIONS		APPROVED BY RDEROSS	DATE 02/03/25						