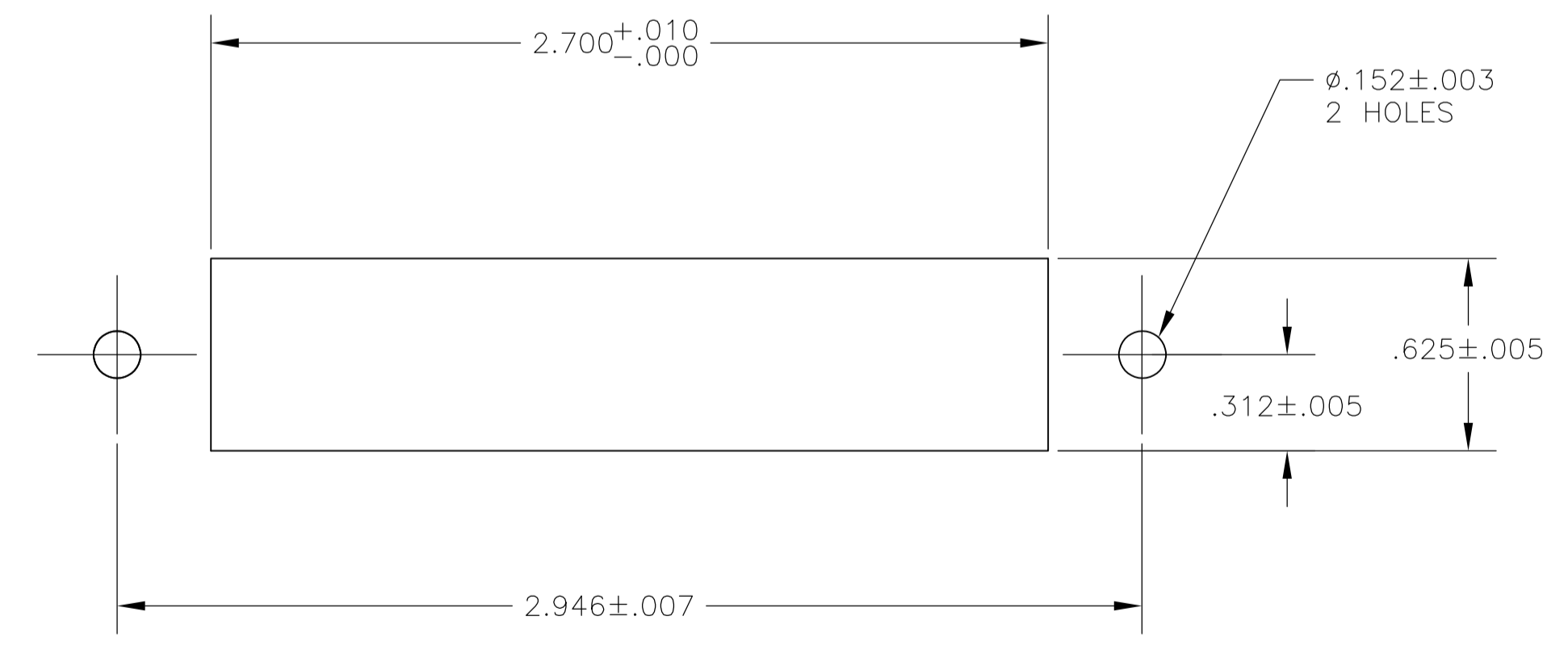
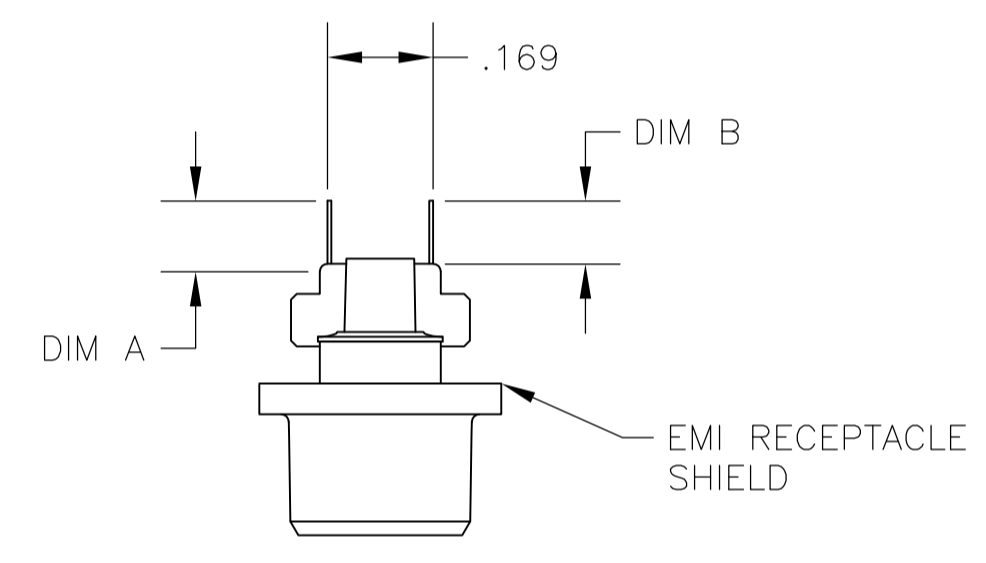
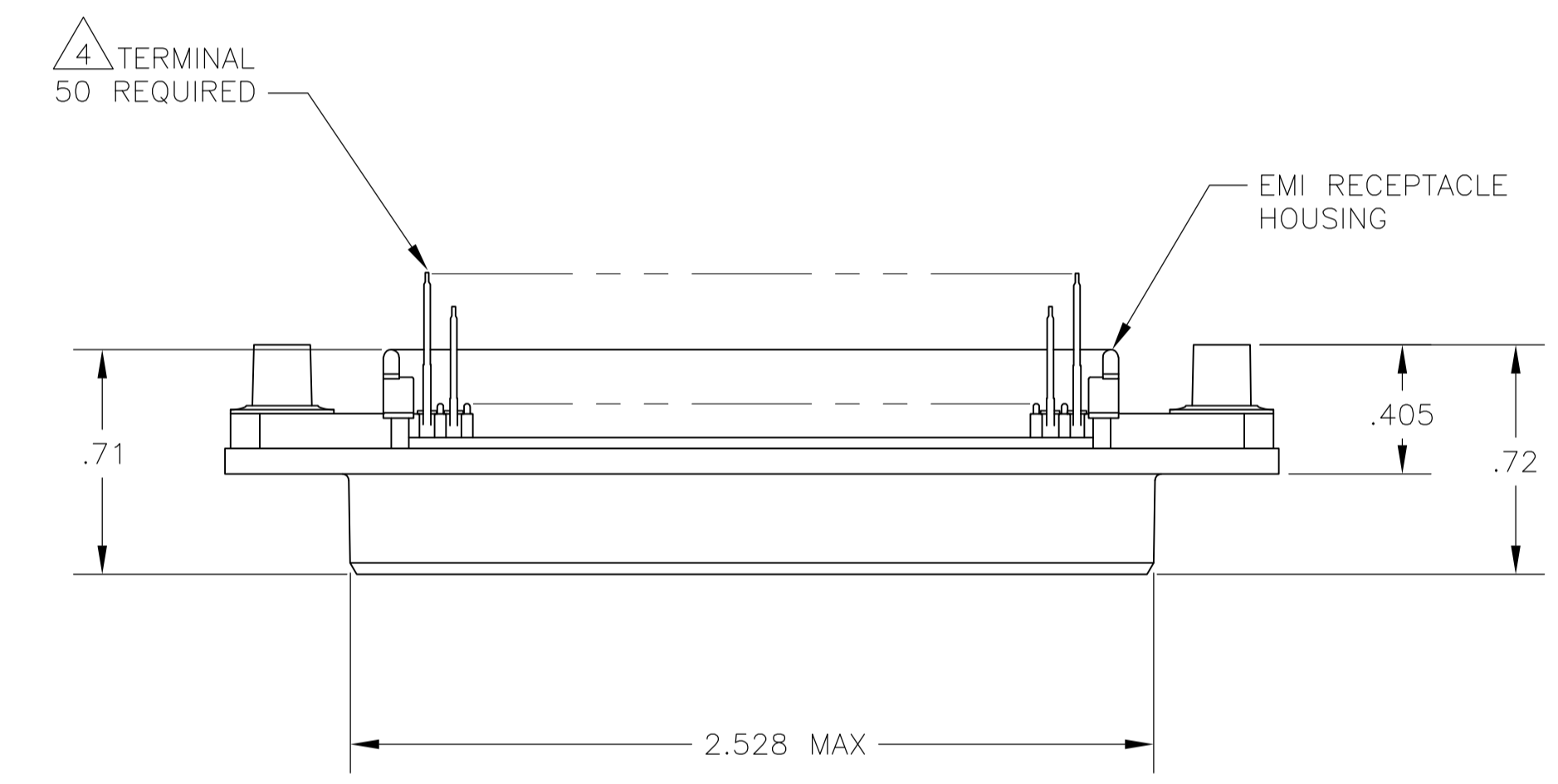
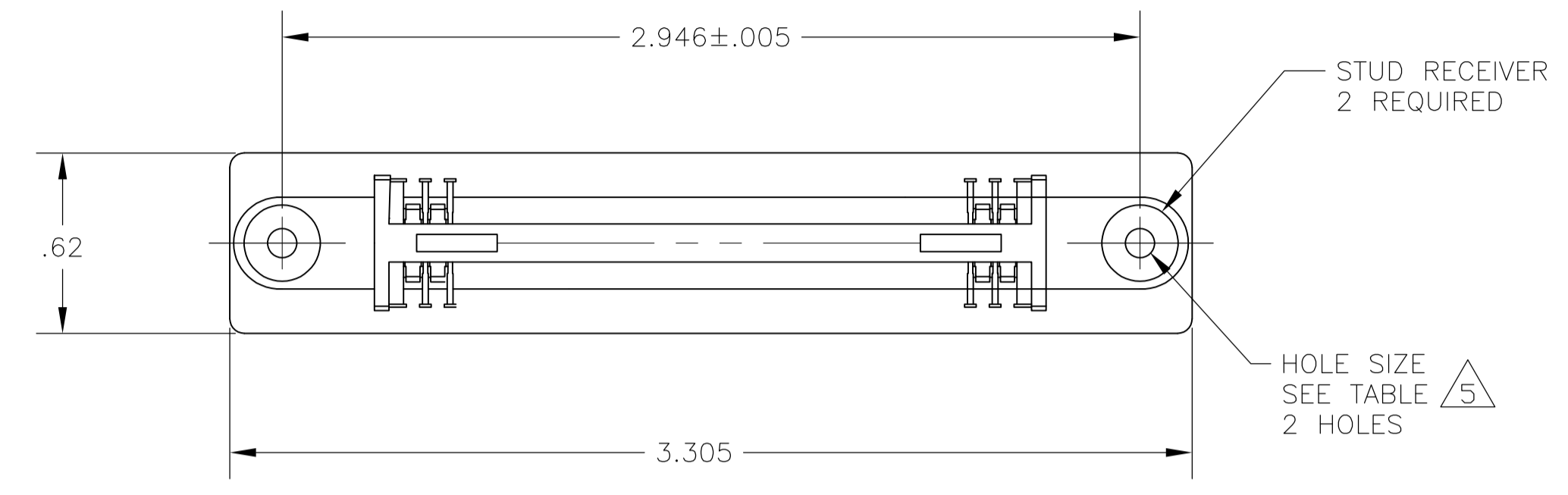


LOC		DIST		REVISIONS			
GP	00	REV	DESCRIPTION	DATE	BY	CHK	APPV
B			REVISED PER ECO-08-007327	22JUL08	BM	WM	
B1			REVISED PER ECO-10-000444	19JAN10	KK	HMR	



1. THE CONTACT SURFACES OF THE TERMINALS ARE COATED WITH LUBRICANT.
2. ALL DIMENSIONS SHOWN ARE FOR REFERENCE ONLY UNLESS OTHERWISE SPECIFIED.
3. MATERIAL:  
 HOUSING - THERMOPLASTIC, BLACK  
 TERMINAL - PHOS BRONZE PLATED WITH EITHER .000030 MINIMUM GOLD PLATE OR GOLD FLASH OVER PALLADIUM NICKEL PLATE, .000030 MINIMUM TOTAL ON MATING SURFACE, .000120 MINIMUM TIN PLATE ON TAILS OVER .000050 MINIMUM NICKEL UNDERPLATE OVER ENTIRE TERMINAL.  
 STUD RECEIVER - STAINLESS STEEL.  
 SHIELD - NICKEL PLATED DIE CASTING.
4. CENTER-TO-CENTER SPACING OF TERMINALS IS .085.
5. HOLES TO BE TAPPED AFTER PLATING.
6. OBSOLETE PARTS: OBSOLETE CIS STREAMLINING PER D.RENAUD/D.SINISI

6 OBSOLETE	4-40	.185	.200	5554217-4
	UNC-2B	.135	.150	5554217-3
	HOLE SIZE	DIM B	DIM A	PART NO

THIS DRAWING IS A CONTROLLED DOCUMENT.		DIN B LATTUCA 17AUG05	Tyco Electronics Corporation Harrisburg, PA 17105-3608	
DIMENSIONS: INCHES		CHK W. MILLHIMES 17AUG05	APPROV M. WALMSLEY 17AUG05	
TOLERANCES UNLESS OTHERWISE SPECIFIED:		NAME RCPT ASSY, 50 POSN, VERT MTG, SHLD, CHAMP		
0. PLC ± -	1. PLC ± -	PRODUCT SPEC		
2. PLC ± -	3. PLC ± -	APPLICATION SPEC		
4. PLC ± -	ANGLES ± -	SIZE A1		
MATERIAL 3	FINISH 3	WEIGHT -	CAGE CODE 00779	DRAWING NO C=5554217
CUSTOMER DRAWING		SCALE 2:1	SHEET 1 OF 1	REV B1