

K5V

Right Angle Lighted THT Tact Switch

Features

- Gold plated dome contact SPST/SPDT
- Excellent ergonomie
- High bright leds
- Reduced space usage on board
- 50 N overload
- Lead free compliant

Typical Applications

- When backlighting and switch are required to be a "2 in 1" component
- The dome contact secures a superior contact reliability in time
- The ergonomie of K5V provides a long travel, a sharp tactile feel and a sound click



B

Tactile Switches

Specification

FUNCTION: momentary action
 CONTACT ARRANGEMENT: Normally Open + Normally Closed
 TERMINALS: Through hole terminals with positioning pegs.
 Terminals keying in option

Mechanical

Type	Operating force FA ¹ Newtons (grams)	Operating life (operations)	Travel (total travel) mm(mm)
K5V10023T	2.0 (200)	100,000	0.6 (2.5)
K5V10043T	4.5 (450)	30,000	1.2 (2.5)

¹) Tolerances of operating force FA is ± 25%.

Packaging

70 pieces per tray
 350 pieces per box

Electrical

POWER MIN/MAX: 0.02VA / 1.0VA
 VOLTAGE MIN/MAX: 20mVdc – 32 Vdc
 CURRENT MIN/MAX dc: 0.05mA (gold) – 100mA (silver)
 CONTACT RESISTANCE: <100mOhms
 INSULATION RESISTANCE: >1GOhms initial, >10MOhms after damp heat
 BOUNCE TIME: <5ms

Environmental

OPERATING TEMPERATURE: -40 C TO 85 C
 STORAGE TEMPERATURE: -50 C TO 85 C
 RELATIVE HUMIDITY: 90 to 96% according to NF EN 60068-2-30
 OVERLOAD: 50N min
 SHEAR TEST THROUGH HOLE: 90N

Process

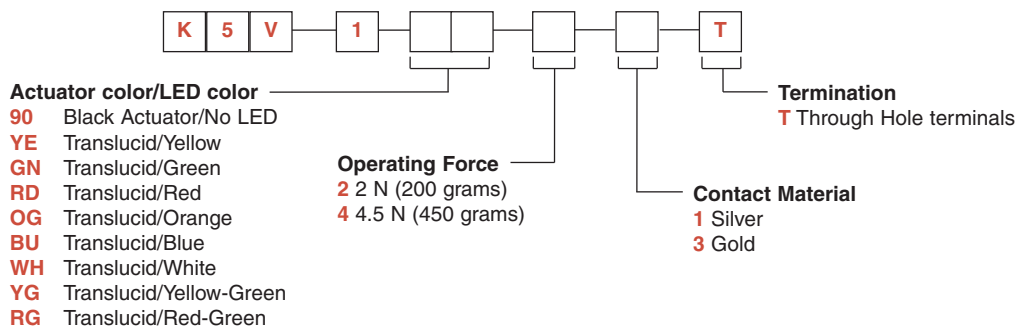
SOLDERING: Wave soldering 85 C preheat, 250 C for 2 seconds
 FLUX TIGHT. No wash.
 LEAD FREE AND RoHs COMPLIANT

Materials

CONTACTS: Au over Ni
 SOLDERING: Ag or Au
 HOUSING: Thermoplastic UL94 HB

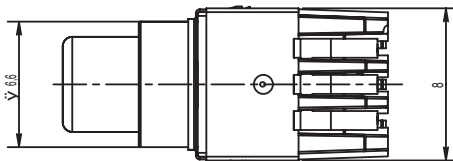
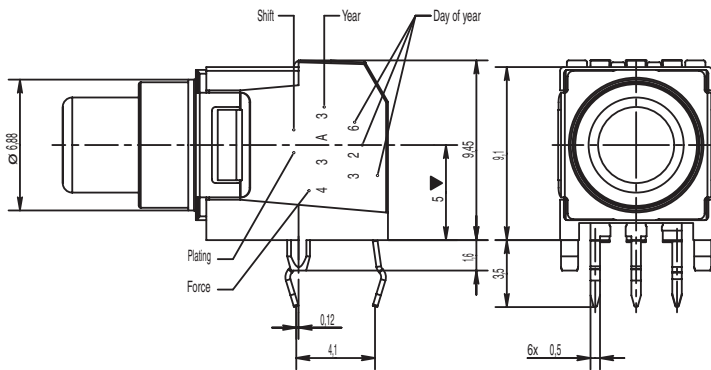
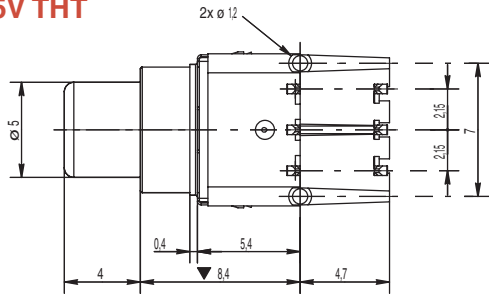
How To Order

Our easy build-a-switch concept allows you to mix and match options to create the switch you need. To order, select desired option from each category and and place it in the appropriate box.

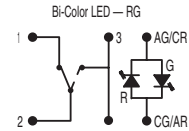
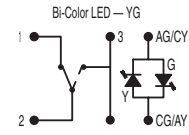
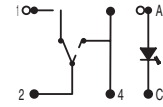


K5V Right Angle Lighted THT Tact Switch

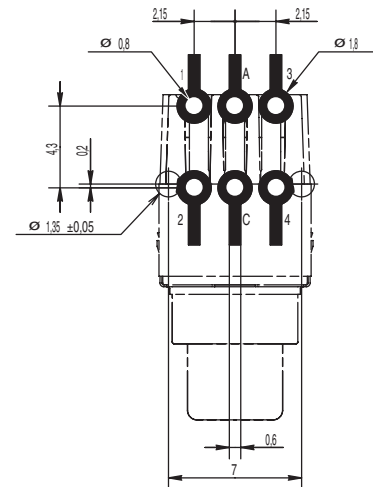
K5V THT



ELECTRICAL DIAGRAM



RECOMMENDED PCB LAYOUT (WITH HOLES) TOP VIEW



TRAY

