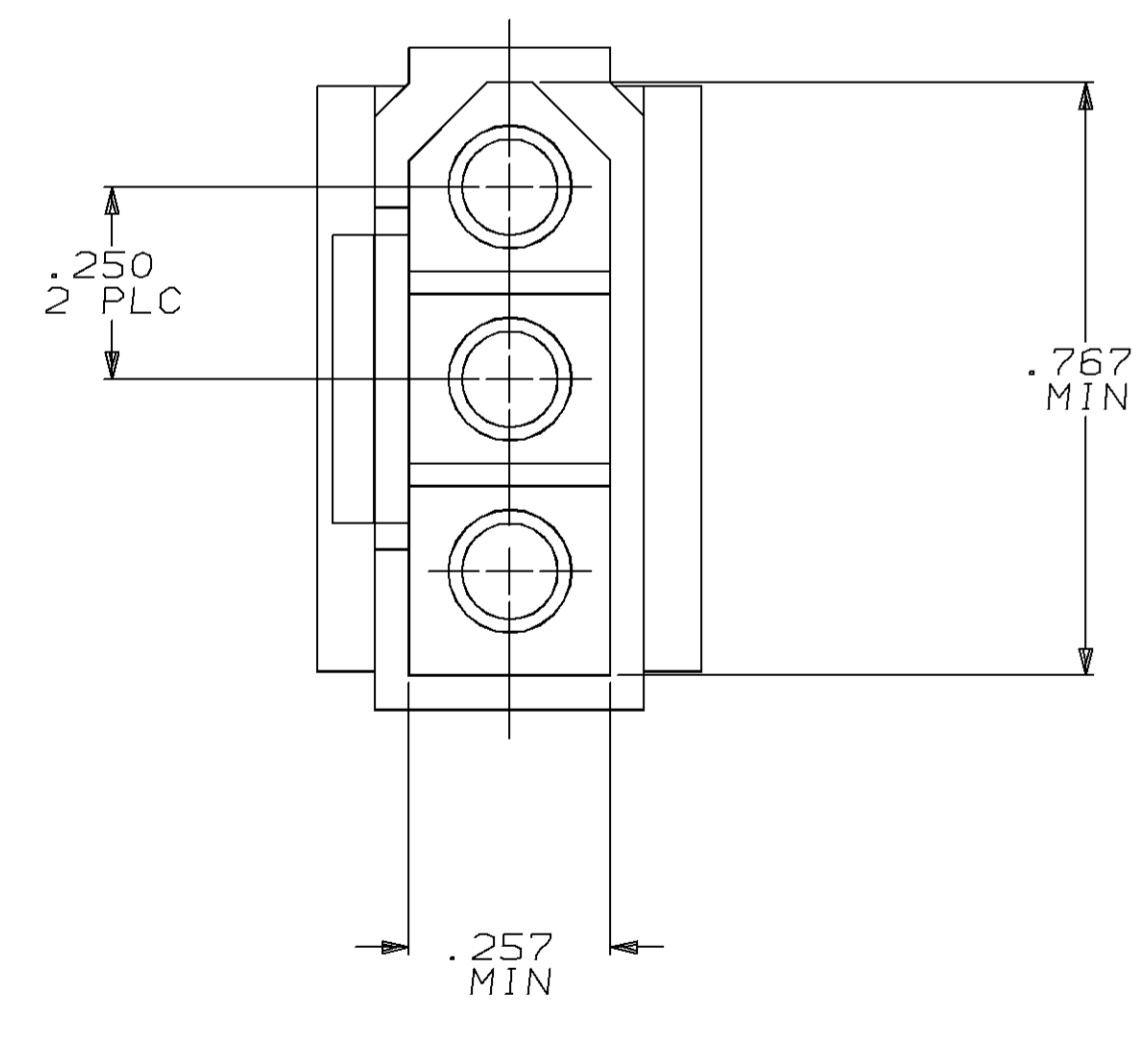
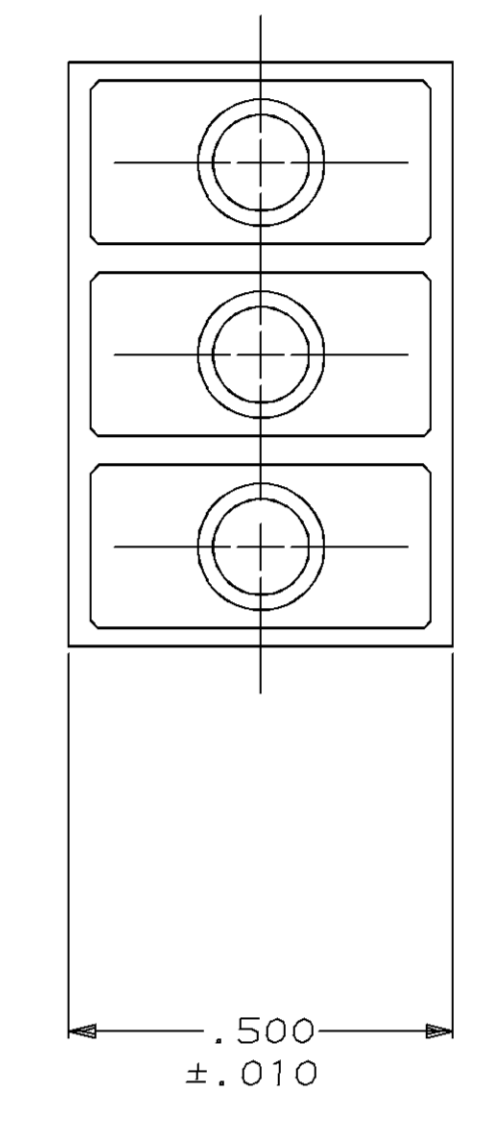
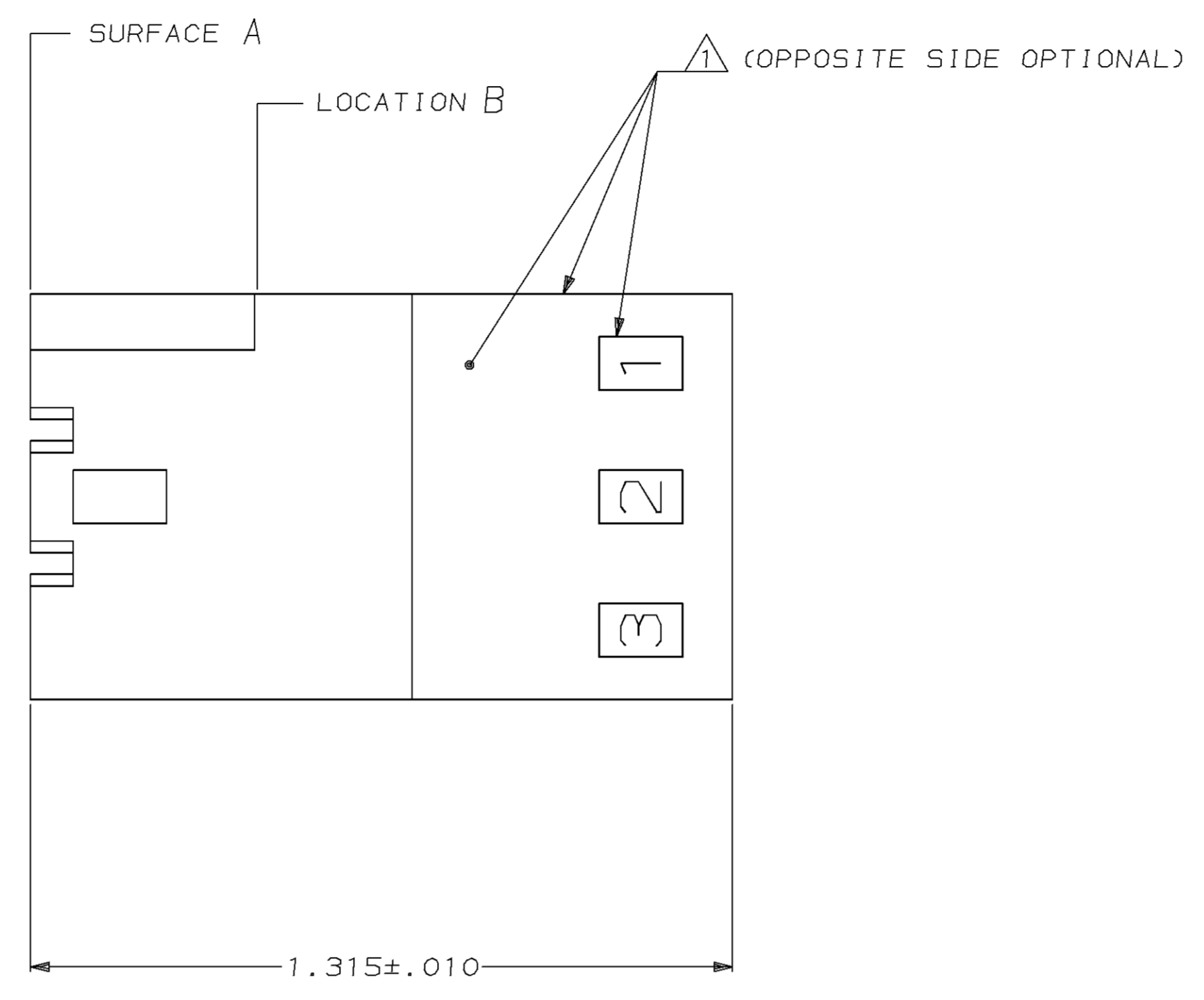
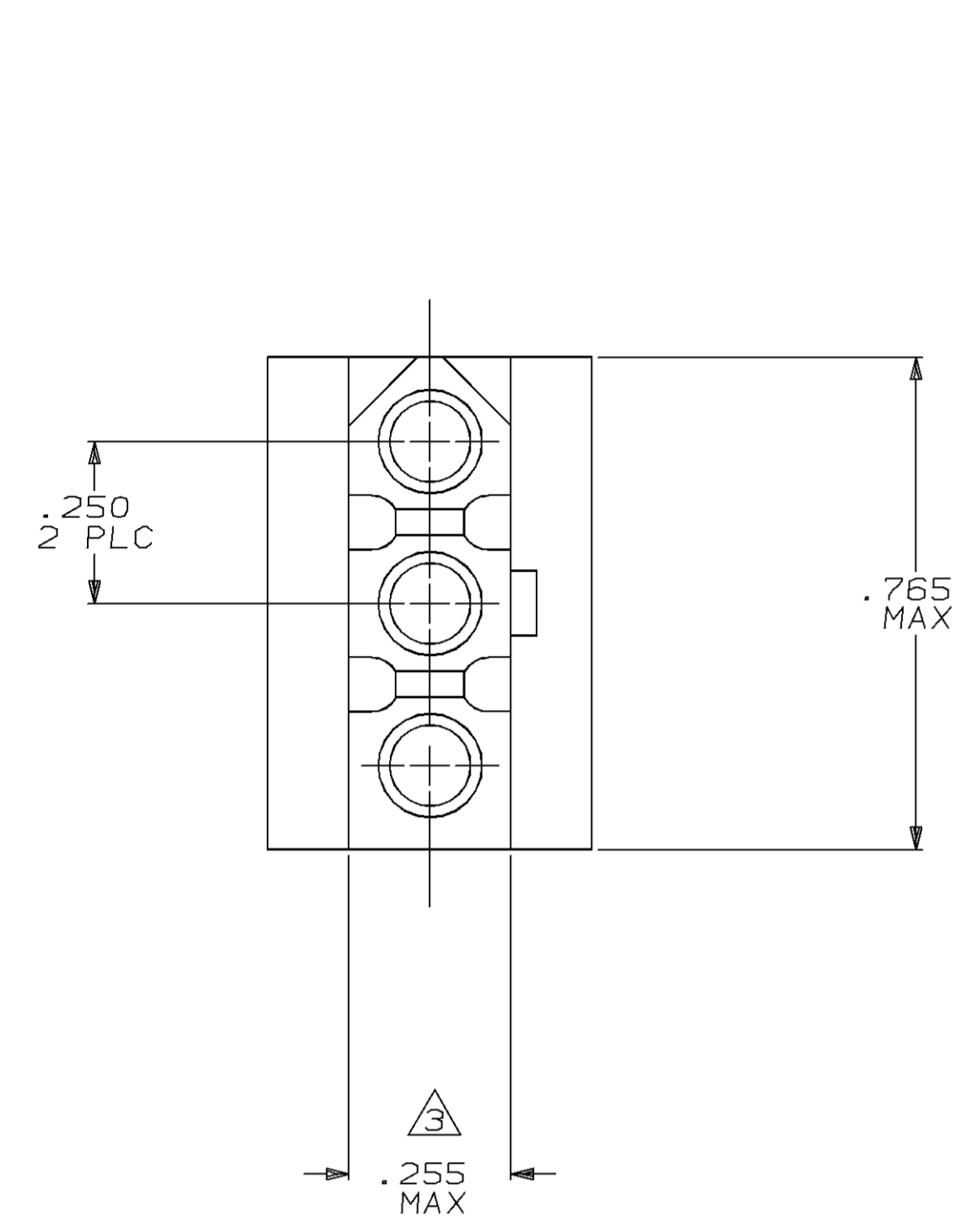
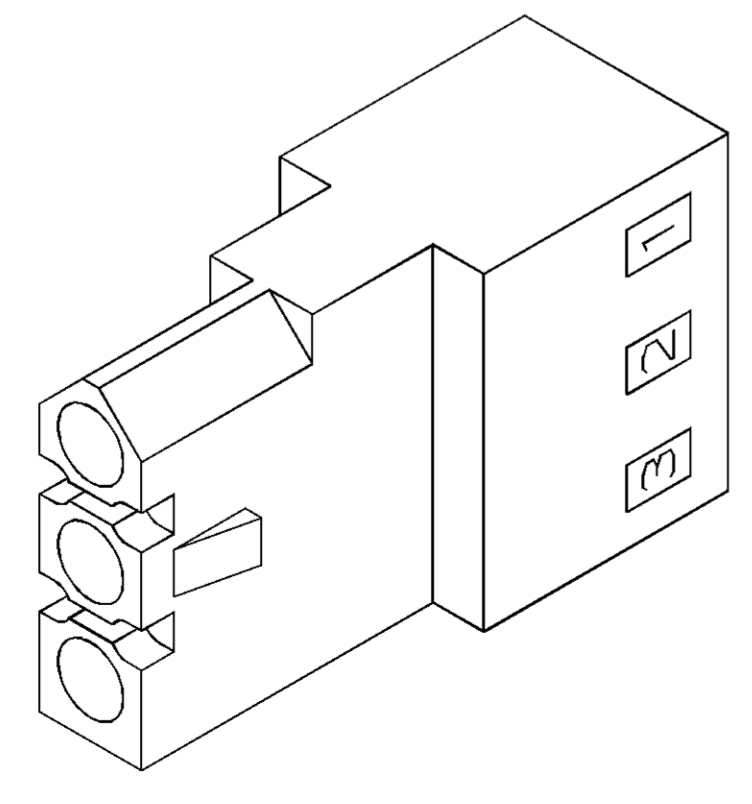


LOC		DIST		P		F		ZONE		LTR		REVISIONS		DATE	APPD
CM	53												REV PER EC 0730-0241-95	1-2-95	JH



- △ AMP LOGO AND CIRCUIT NUMBERS LOCATED ON EITHER SURFACE.
- 2 PARTS ARE DUAL WIRE COMPATIBLE.
- △ DIMENSION APPLIES BETWEEN SURFACE A AND LOCATION B.

MATING CONNECTOR INTERFACE



IN	MM	IN	MM
.257	6.53	-	-
.255	6.48	1.315	33.40
.250	6.35	.767	19.48
.010	0.25	.765	19.43
.005	0.13	.500	12.70

CONVERSION TABLE



DO NOT SCALE PRINT. UNLESS SPECIFIED DIMENSIONS IN INCHES TOLERANCES ON:		DR K. WHITAKER 10-27-88		770451-1 PART NO	
2 PLC DEC ± .005		CHK R. SWING 10-27-88		AMP INCORPORATED Harrisburg, Pa. 17105	
3 PLC DEC ± .005		APPD R. CARSON 10-27-88		NAME	
ANGLES ± -		APPD R. CARSON 10-27-88		RECEPTACLE, 3 CIRCUIT, .250 PIN AND SOCKET	
MATERIAL NYLON, UL 94V-2 NATURAL		APPLICATION SPEC		DRAWING NO 770451	
FINISH		WEIGHT		SIZE D 00779	
				SCALE 4:1	
				SHEET 1 OF 1	

CUSTOMER DRAWING