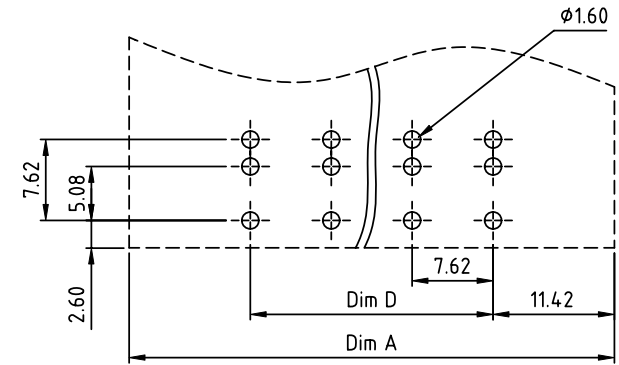
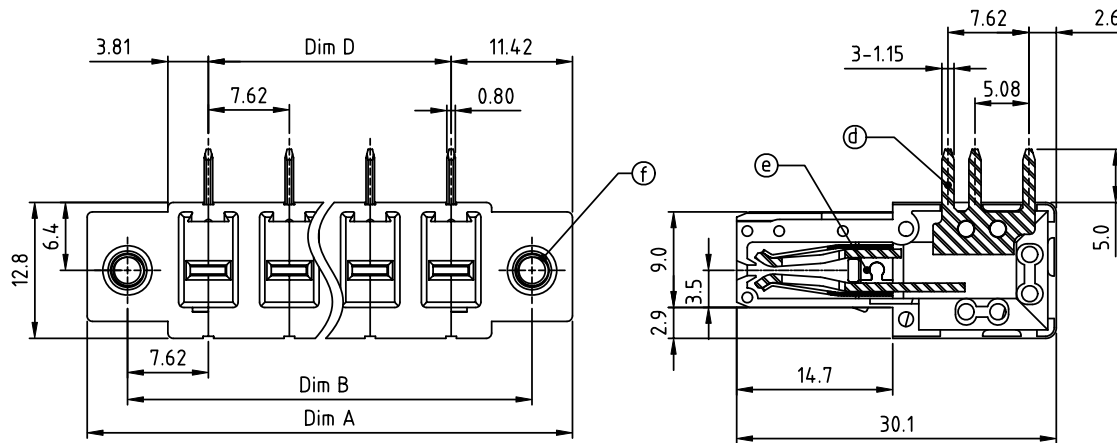
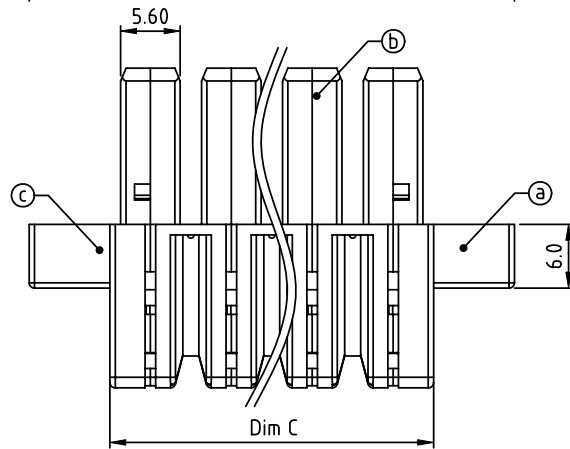


PRODUCT NUMBER	PITCH
KSxx02x100J0G	7.62 mm



RECOMMENDED P.C.B LAYOUT



Material:

- Item ① Left Cover :Thermoplastic (UL94 - V0)
- Item ② Middle Body :Thermoplastic (UL94 - V0)
- Item ③ Right Cover :Thermoplastic (UL94 - V0)
- Item ④ Pin: Copper Tin plated
- Item ⑤ Wire guard:Stainless Steel
- Item ⑥ Flange Nut: Steel , Zinc plated M3

Electrical: cULus

- Voltage rating: 300V
- Current rating: 41A
- Withstanding Voltage:1.6 KV
- Operating temperature:-40°C to +115°C
- Soldering temperature:260°C±5°C/5 Sec
- Safety approval: cULus

N=Number of poles

Dim A	(N+2) × 7.62
Dim B	(N+1) × 7.62
Dim C	N × 7.62
Dim D	(N-1) × 7.62

Dimension

Poles	Tolerance
2P-5P	±0.30
6P-8P	±0.35
9P-12P	±0.40
13P-16P	±0.50

PART NO.: **KSxx02x100J0G**

End stackable	0	Black (RAL9005)	RoHS compliant (lead<4%) In copper Alloy
No. of poles	2	Red (RAL3001/D)	
02	2 poles	3 Orange(RAL2011/P)	
03	3 poles	4 Yellow(RAL1018/A)	
...	...	5 Green(RAL6018/T)	
16	16 poles	6 Blue (RAL5015/A)	
		8 Grey(RAL7035/D)	
		9 White(RAL1102)	
		C Green(RAL6018/U)	

mat'l. code	surface ASME Y14.5	tolerance ASME Y14.5	projection	product family
ltr	ecn no	dr	date	TERMINAL BLOCK
				title
				TERMINAL BLOCK
				PLUGGABLE PLUG, WITH SOLDER PIN, WITH FLANGE
				RIGHT ANGLE, UNDER PCB MOUNTING
				scale
				MM
				sheet 1 of 1
				size
				A4
				type
				CUSTOMER Drawing
sheet index	revision	A		
	sheet	1		