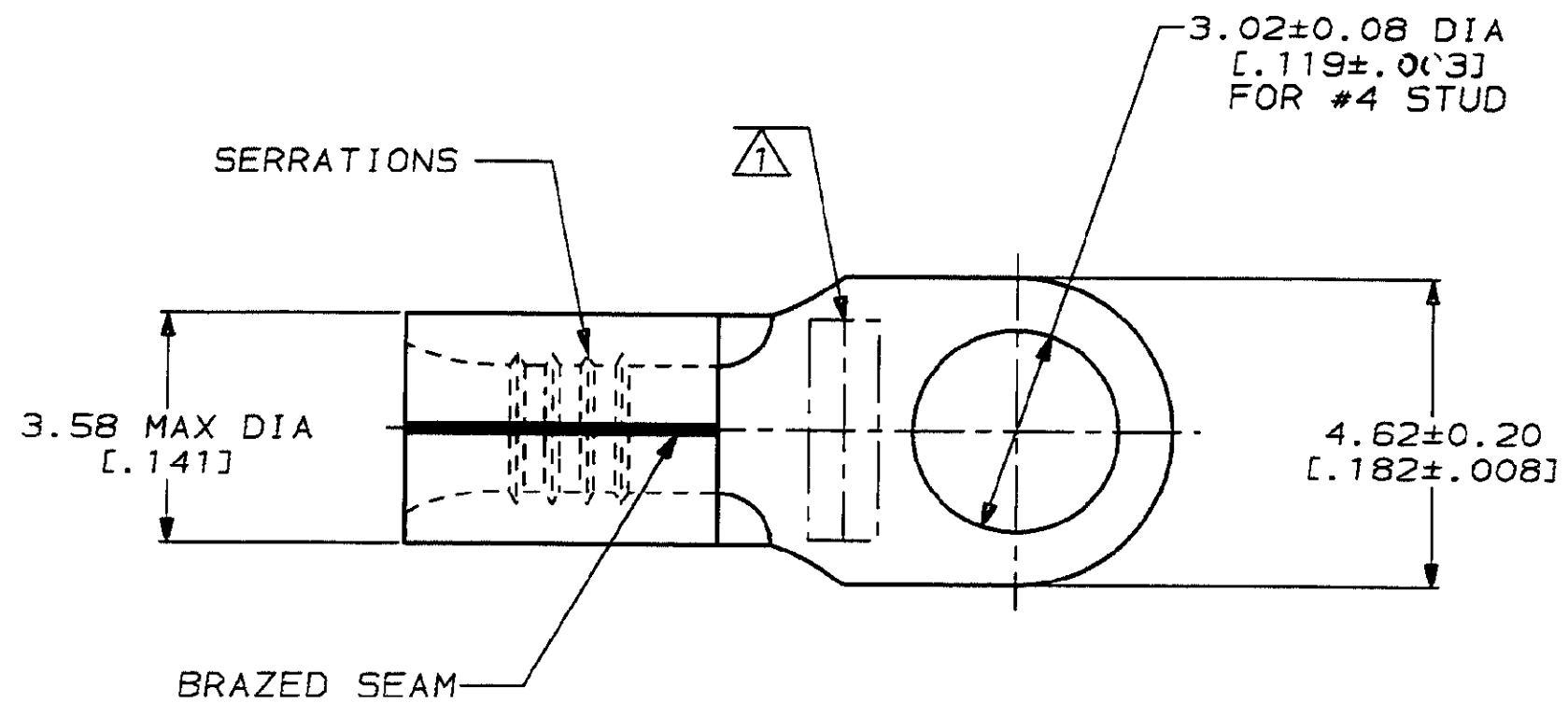


THIS DRAWING IS UNPUBLISHED. RELEASED FOR PUBLICATION, 19  
 © COPYRIGHT 19 BY AMP INCORPORATED. ALL INTERNATIONAL RIGHTS RESERVED.

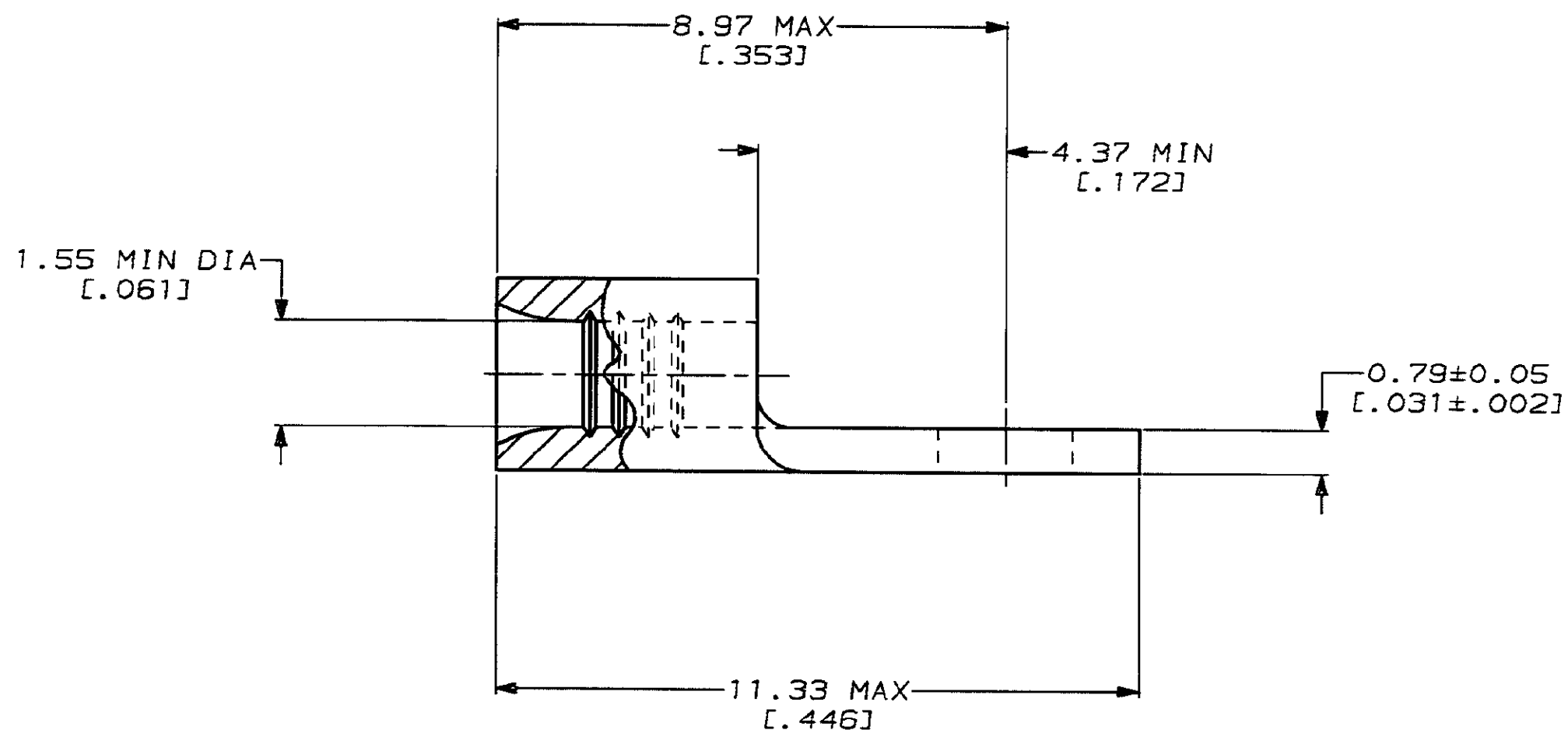
LOC	DIST	ZONE	LTR	DESCRIPTION	DATE	APPD
G	14			C REV, RDRW, & SM PKG PER 0720-0040-93	3-10-93	MP DAP

**METRIC**  
 DIMENSIONS LISTED IN mm [ INCHES ]



<b>AMP</b> WIRE RANGE	<b>E13288</b> Listed
22-16 AWG SOLID OR STRANDED	22-16 AWG SOLID OR STRANDED
<b>LR7189</b> Certified	<b>MILITARY P/N</b> AND CLASS
22-16 AWG SOLID OR STRANDED	NOT APPLICABLE

△ STAMP AMP 22-18\* APPROX AS SHOWN  
 22-16 TERMINALS ARE STAMPED 22-18 IN  
 ACCORDANCE WITH MILITARY SPECIFICATION  
 MIL-T-7928; COMMERCIAL WIRE RANGE IS 22-16



100	LOOSE PIECE, BOX	8-36467-1
----	LOOSE PIECE	36467
QUANTITY	PACKAGE TYPE	PART NO

**AMP INCORPORATED**  
**CUSTOMER SERVICE SYSTEMS**

MAX RECOMMENDED OPERATING TEMPERATURE:  
 170°C MAX

DO NOT SCALE PRINT.  
 UNLESS SPECIFIED  
 DIMENSIONS IN mm [INCHES]  
 TOLERANCES ON:  
 2 PLC DEC ± -  
 3 PLC DEC ± -  
 ANGLES ± -  
 MATERIAL  
 COPPER PER  
 ASTM B-152  
 ANNEALED  
 FINISH  
 TIN PLATE  
 0.00254 [0.00100] MIN  
 THK PER MIL-T-10727

DR 3-10-93  
 TA BRINKMAN  
 CHK 3-10-93  
 DA PATTERSON  
 APPD 3-10-93  
 DE MILLER  
 APPD 3-10-93  
 JL MECKLEY  
 PRODUCT SPEC  
 APPLICATION SPEC  
 WEIGHT -

**AMP** AMP Incorporated  
 Harrisburg, PA 17105-3608

NAME <b>TERMINAL, RING TONGUE, SOLISTRAND™</b>		
SIZE <b>C</b>	CAGE CODE <b>00779</b>	DRAWING NO <b>C=36467</b>
SCALE <b>10:1</b>	SHEET <b>1 OF 1</b>	

FOR ADDITIONAL PRODUCT INFORMATION OR COPIES OF DRAWINGS AND TECHNICAL DOCUMENTS	PRODUCT INFORMATION CENTER 1-800-522-6752
FOR APPLICATION TOOLING INFORMATION	TOOLING ASSISTANCE CENTER 1-800-722-1111
FOR ORDER ENTRY	1-800-526-5142

VOLTAGE RATING:  
 NOT APPLICABLE  
 WIRE CROSS SECTIONAL AREA RANGE:  
 0.26-1.65mm² [509-3,260] CIR MILS  
 SOLID OR STRANDED

THIS DRAWING IS A CONTROLLED DOCUMENT FOR AMP INCORPORATED. IT IS SUBJECT TO CHANGE AND THE CONTROLLING ENGINEERING ORGANIZATION SHOULD BE CONTACTED FOR THE LATEST REVISION.