

1

2

3

4

5

6

7

A

B

C

D

E

F

G

H

A

B

C

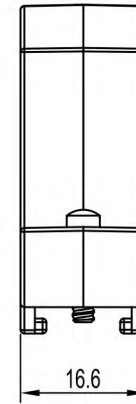
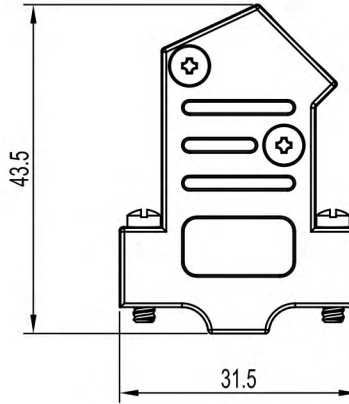
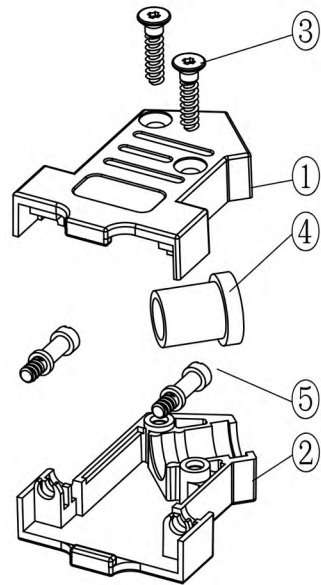
D

E

F

G

H

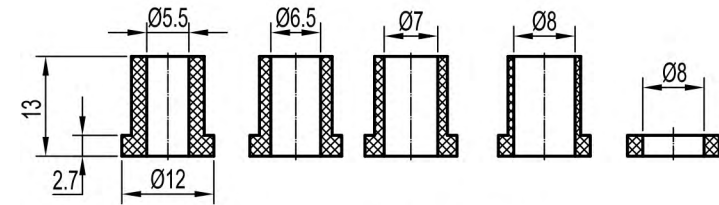
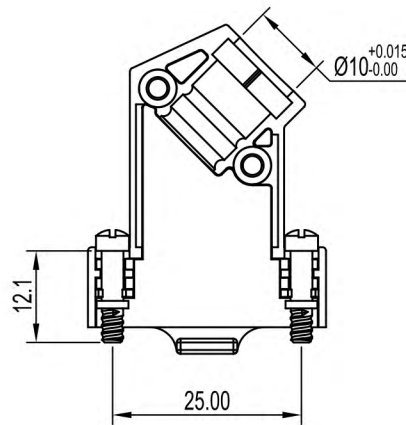


### TECHNICAL SPECIFICATIONS

Material: ABS Plastic, UL94-HB  
 Plating: Metalized (Nickel over Copper)  
 Operating Temperature: -40°C to +120°C  
 Thumbscrews: UNC4-40

No. of contacts: 09-15-25-37-50

Item	QTY	Part description
1	1	Upper Cover
2	1	Lower Cover
3	2	ST2.9x13 Self tapping Screw
4	1	Compression Insert
5	2	UNC 4-40x12.1 Jackscrew



Compression Inserts

**RoHS compliant**  
 Unit: mm

Scale	Free					Date	Name	Customer-No.
TOLERANCE						Drawn	17.08.2017	S.Bölling
0~6	±0.10					Approved	17.08.2017	S.Bölling
6~30	±0.20							
30~120	±0.30							
120~400	±0.50							
DIM	Tol							
Angle	±1°	©	Drawn	17.08.2017	S.Bölling			
Angle	Tol	Id.	Modification	Date	Name			

**ASSMANN**  
 WSW components

Customer-No.  
 ASSMANN WSW-No.  
**ACOV-SUB-09MB2**

Drawing-No.  
**ASS\_5243\_CO** rev00  
 Replace  
 Sheet 1/3

1

2

3

4

5

6

7

SV4382

1

2

3

4

5

6

7

A

B

C

D

E

F

G

H

A

B

C

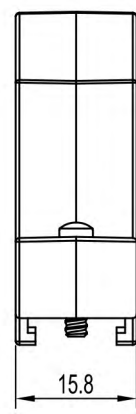
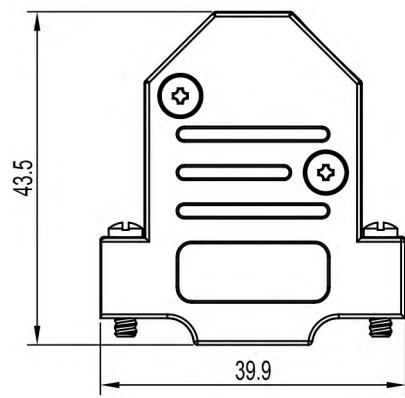
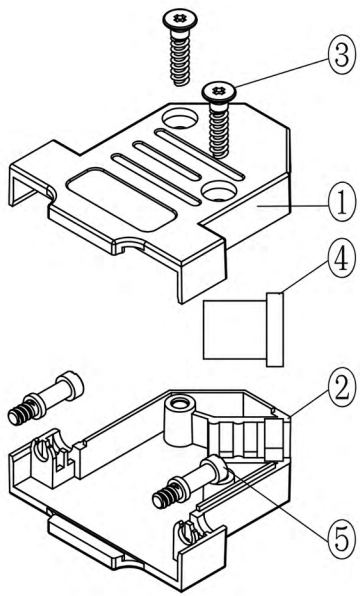
D

E

F

G

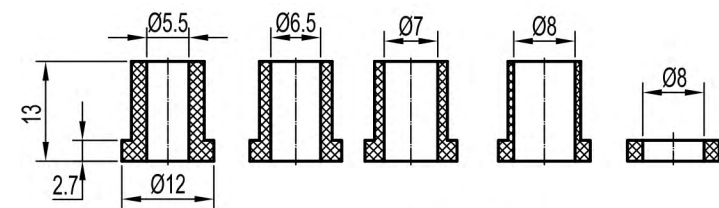
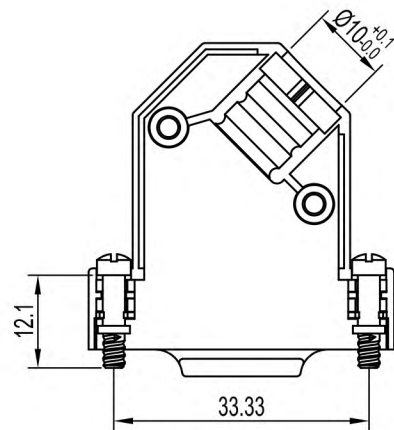
H



TECHNICAL SPECIFICATIONS

Material: ABS Plastic, UL94-HB  
 Plating: Metalized (Nickel over Copper)  
 Operating Temperature: -40°C to +120°C  
 Thumbscrews: UNC4-40  
 No. of contacts: 09-15-25-37-50

Item	QTY	Part description
1	1	Upper Cover
2	1	Lower Cover
3	2	ST2.9x13 Self tapping Screw
4	1	Compression Insert
5	2	UNC 4-40x12.1 Jackscrew



Compression Inserts

**RoHS compliant**  
Unit: mm

Scale	Free						Date	Name	Customer-No.	
TOLERANCE							Drawn	17.08.2017	S.Bölling	ASSMANN WSW-No. <b>ACOV-SUB-15MB2</b>
0~6	±0.10						Approved	17.08.2017	S.Bölling	
6~30	±0.20									
30~120	±0.30									
120~400	±0.50									Drawing-No.
DIM	Tol									<b>ASS_5243_CO</b>
Angle	±1°	Ⓢ	Drawn				17.08.2017	S.Bölling		rev00
Angle	Tol	Id.	Modification							Sheet 2/3



Replace

1

2

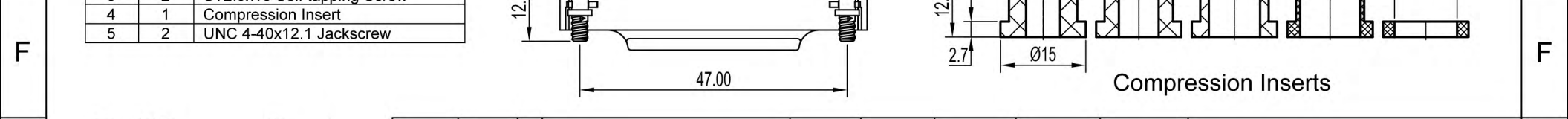
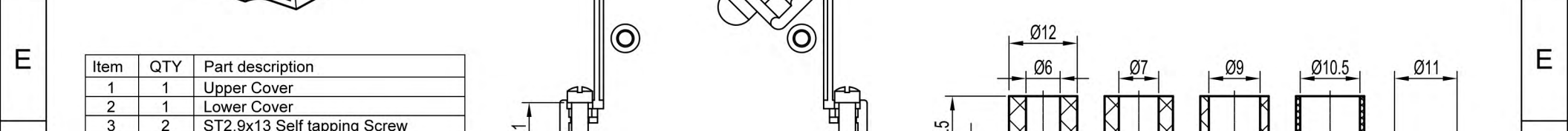
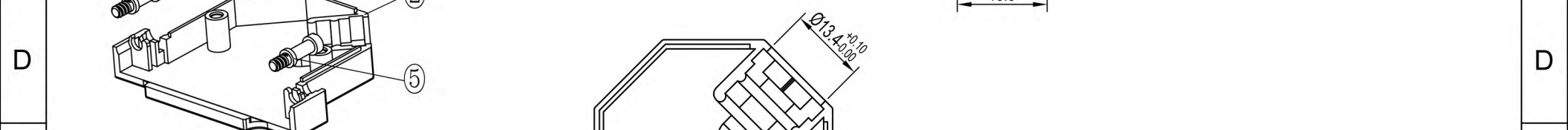
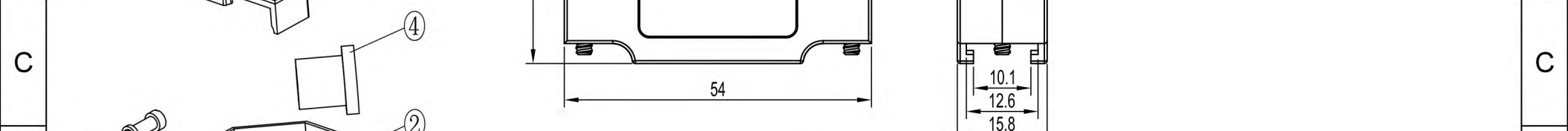
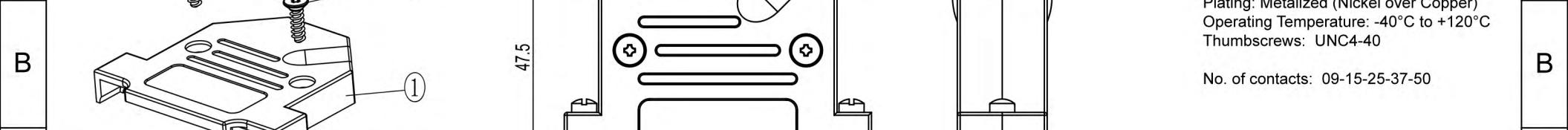
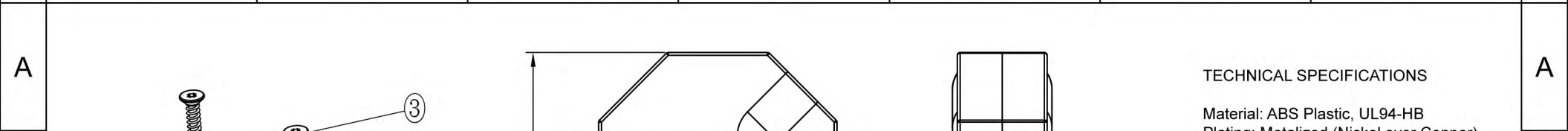
3

4

5

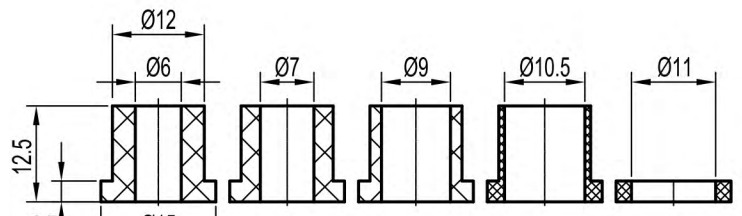
6

7



**TECHNICAL SPECIFICATIONS**  
 Material: ABS Plastic, UL94-HB  
 Plating: Metalized (Nickel over Copper)  
 Operating Temperature: -40°C to +120°C  
 Thumbscrews: UNC4-40  
 No. of contacts: 09-15-25-37-50

Item	QTY	Part description
1	1	Upper Cover
2	1	Lower Cover
3	2	ST2.9x13 Self tapping Screw
4	1	Compression Insert
5	2	UNC 4-40x12.1 Jackscrew



Compression Inserts

**RoHS compliant**  
 Unit: mm

Scale	Free					Date	Name	Customer-No.
TOLERANCE						Drawn	17.08.2017	S.Bölling
0~6	±0.10					Approved	17.08.2017	S.Bölling
6~30	±0.20							
30~120	±0.30							
120~400	±0.50							
DIM	Tol	Ⓞ	Drawn	17.08.2017	S.Bölling			
Angle	±1°							
Angle	Tol	Id.	Modification	Date	Name			

ASSMANN WSW-No.  
**ACOV-SUB-25MB2**

Drawing-No.  
**ASS\_5243\_CO** rev00  
 Replace Sheet 3/3