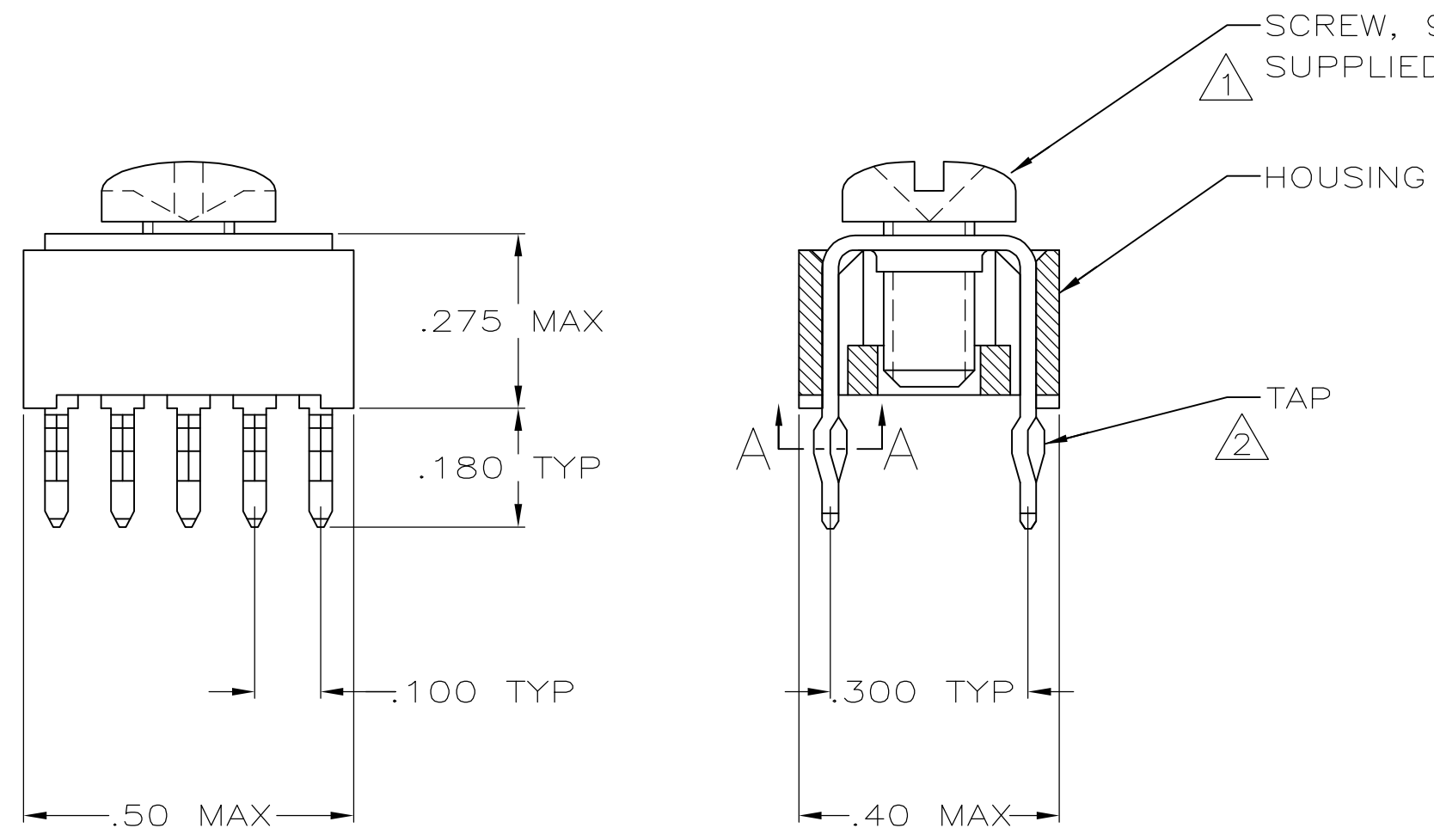


THIS DRAWING IS UNPUBLISHED. RELEASED FOR PUBLICATION
 © COPYRIGHT BY TYCO ELECTRONICS CORPORATION. ALL RIGHTS RESERVED.

LOC	DIST	REVISIONS					
GP	00	P	LTR	DESCRIPTION	DATE	DWN	APVD
			A	REV PER EC 0512-0573-04	05-04-05	JA	SF



SCREW, 993879-1
 SUPPLIED UNASSEMBLED, SEE TABLE

- ① TO PREVENT THREAD STRIPPING, SCREW TORQUE SHOULD NOT EXCEED 9 IN LBS.
- ② TAP HOLE IS 6-32UNC-2B, TWO MIN THREADS.
- ③ HOUSING: NYLON.
- ④ TAP: COPPER ALLOY 725, .025 THICK.
- ⑤ TAP: .000150 MATTE TIN OVER .000050 NICKEL.
- 6. REFERENCE APPLICATION SPECIFICATION 114-11000 FOR DRILL HOLE SIZES AND FINISHES.



SECTION A-A
 SCALE 10:1
 10 PLACES

YES	5055673-2
SCREW	PART NO.

THIS DRAWING IS A CONTROLLED DOCUMENT.		DWN	J. ALCORTA - DOCK5	05-04-05	tyco Electronics	Tyco Electronics Corporation Harrisburg, PA 17105-3608	
DIMENSIONS: INCHES		CHK	A. FRANTUM	05-04-05		NAME	
TOLERANCES UNLESS OTHERWISE SPECIFIED:		APVD	S. FLICKINGER	05-04-05	PRODUCT SPEC		
0 PLC	± -	APPLICATION SPEC		108-11030			RESTRICTED TO
1 PLC	± -	WEIGHT		114-11000			
2 PLC	± -	MATERIAL		SIZE			RESTRICTED TO
3 PLC	± .010	FINISH		CAGE CODE			
4 PLC	± -	③ ④		DRAWING NO			RESTRICTED TO
4 PLC ANGLES	± -	⑤		G=5055673			
MATERIAL		CUSTOMER DRAWING		SCALE			SHEET 1 OF 1
FINISH		SCALE		4:1			