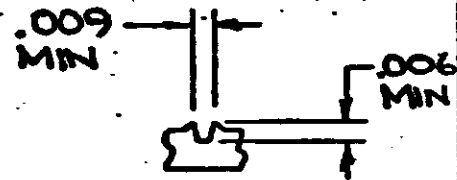
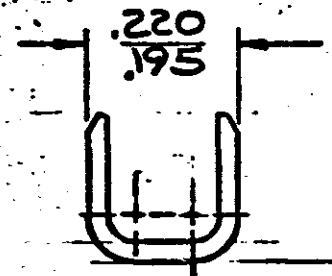
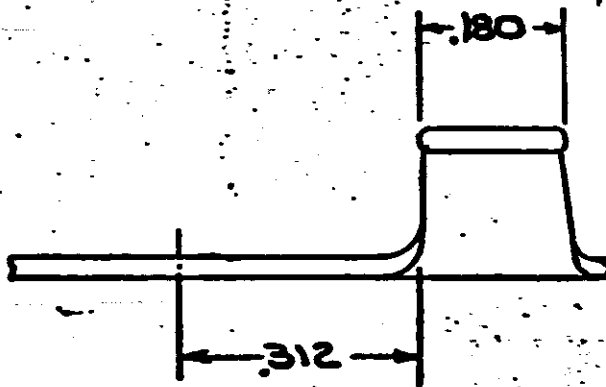
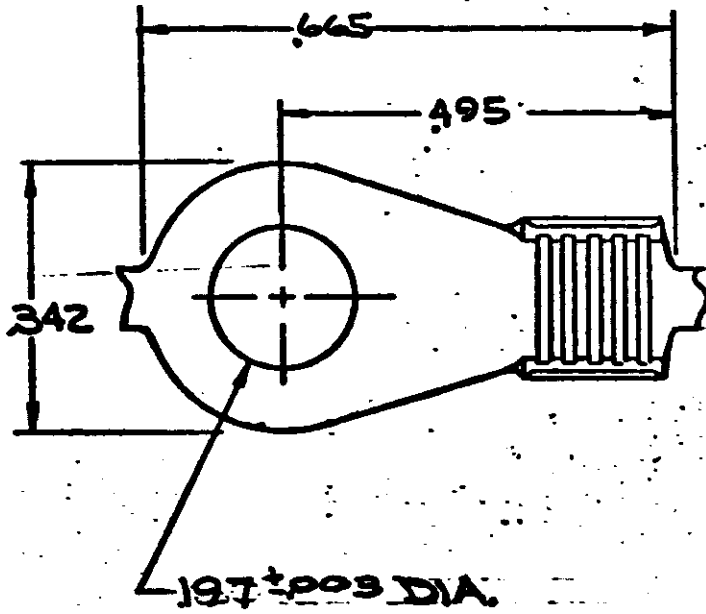


NUMBER  
640212

S



CONTINUOUS STRIP, ON REELS

PART NO.  
640212-1

SERRATION DETAIL  
SCALE 8:1  
APPLIES ONLY AT STRAIGHT  
PORTION ON SIDES OF  
BARREL

UNPUBLISHED COPY NOT TO BE  
REPRODUCED NOR PUBLISHED  
WITHOUT WRITTEN PERMISSION  
OF AMP INCORPORATED.

DIMENSIONS IN INCHES. DO NOT SCALE PRINT.

©1975 BY AMP INCORPORATED. ALL RIGHTS  
RESERVED. AMP PRODUCTS COVERED BY  
PATENTS AND/OR PATENTS PENDING

CUSTOMER COPY  
REFERENCE ONLY

MATERIAL AND FINISH  
.025 BRASS



AMP INCORPORATED  
HARRISBURG, PENNA.

TIN

CLASS

B  
A

WIRE RANGE INSULATION  
13-11 1 4

TYPE

LTR REVISION RECORD ECN DR CHN DATE

TOLERANCE EXCEPT AS NOTED  
= .015 = 1° 0'

LOC NO  
AF A 640212 REV B

DR G YETTER 4-25-75

DE J.P. 5-8-75

NAME  
RING, AMPLIVAR

50