



PHOTO DIODE  
**NR8360JP-BC**

$\phi 30 \mu\text{m}$  InGaAs AVALANCHE PHOTO DIODE  
14-PIN DIP MODULE WITH TEC

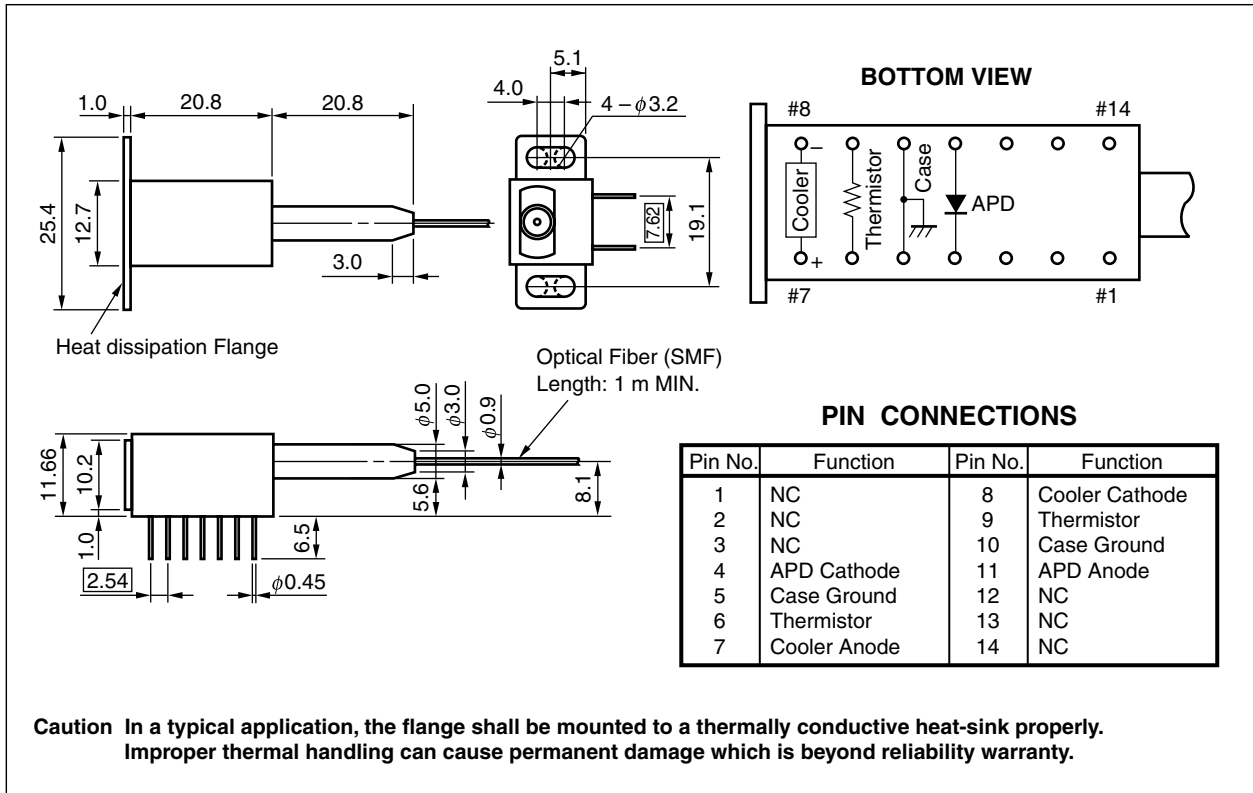
**DESCRIPTION**

The NR8360JP-BC is an InGaAs avalanche photodiode module with single mode fiber. A thermoelectric cooler is integrated enabling the temperature control of the APD chip. It is designed for long-reach optical communications and optical test instruments, especially OTDR.

**FEATURES**

- High quantum efficiency  $\eta = 85\% @ \lambda = 1310 \text{ nm}$   
 $\eta = 80\% @ \lambda = 1550 \text{ nm}$
- Small dark current  $I_D = 2 \text{ nA}$
- High-speed response  $f_c = 1.2 \text{ GHz} @ M = 20$
- Internal thermoelectric cooler
- Hermetically sealed 14-pin Dual In-line Package

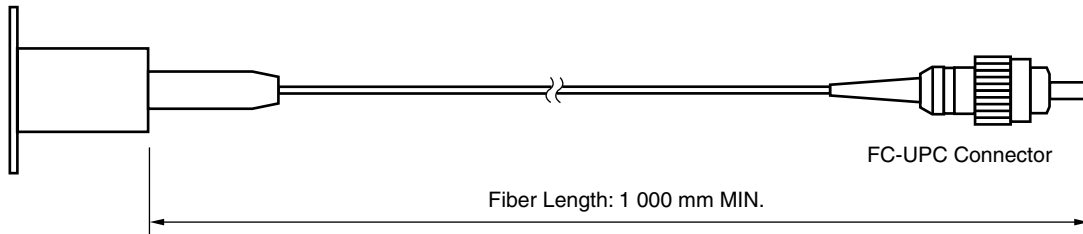
<R> **PACKAGE DIMENSIONS (UNIT: mm)**



The information in this document is subject to change without notice. Before using this document, please confirm that this is the latest version.

**OPTICAL FIBER CHARACTERISTICS**

Parameter	Specification	Unit
Mode Field Diameter	9.5±1	μm
Cladding Diameter	125±2	μm
Maximum Cladding Noncircularity	2	%
Maximum Core/Cladding Concentricity	1.6	%
Outer Diameter	0.9±0.1	mm
Cut-off Wavelength	1 100 to 1 270	nm
Minimum Fiber Bending Radius	30	mm
Fiber Length	1 000 MIN.	mm
Flammability	UL1581 VW-1	



**ORDERING INFORMATION**

Part Number	Available Connector
NR8360JP-BC	With FC-UPC Connector

**ABSOLUTE MAXIMUM RATINGS**

Parameter	Symbol	Ratings	Unit
Forward Current	I <sub>F</sub>	10	mA
Reverse Current	I <sub>R</sub>	500	μA
Operating Case Temperature	T <sub>C</sub>	-20 to +55	°C
Storage Temperature	T <sub>stg</sub>	-40 to +85	°C
Lead Soldering Temperature	T <sub>slid</sub>	260 (10 sec.)	°C
Cooler Current	I <sub>C</sub>	1.0	A
Cooler Voltage	V <sub>C</sub>	2.0	V

**ELECTRO-OPTICAL CHARACTERISTICS (T<sub>APD</sub> = 25°C, T<sub>C</sub> = -20 to +55°C, unless otherwise specified)**

Parameter	Symbol	Conditions	MIN.	TYP.	MAX.	Unit
Reverse Breakdown Voltage	V <sub>BR</sub>	I <sub>D</sub> = 100 μA	50	70	100	V
Temperature Coefficient of Reverse Breakdown Voltage	δ <sup>1</sup>			0.2		%/°C
Dark Current	I <sub>D</sub>	V <sub>R</sub> = V <sub>BR</sub> × 0.9		5	10	nA
		V <sub>R</sub> = V <sub>BR</sub> × 0.9, T <sub>C</sub> = 55°C, I <sub>C</sub> = 0.8 A		2	5	
Multiplied Dark Current	I <sub>DM</sub>	M = 2 to 10		0.2	2.0	nA
Terminal Capacitance	C <sub>t</sub>	V <sub>R</sub> = V <sub>BR</sub> × 0.9, f = 1 MHz		1.0	1.7	pF
Cut-off Frequency	f <sub>c</sub>	M = 10	1.0			GHz
		M = 20		1.2		
Quantum Efficiency	η	λ = 1 310 nm	70	85		%
		λ = 1 550 nm	65	80		
Sensitivity	S	λ = 1 310 nm	0.73	0.89		A/W
		λ = 1 550 nm		1.00		
Multiplication Factor	M	λ = 1 310 nm, I <sub>op</sub> = 1.0 μA, V <sub>R</sub> = V (@ I <sub>D</sub> = 1 μA)	20	40		
Excess Noise Factor <sup>2</sup>	x	λ = 1 310 nm, 1 550 nm, I <sub>op</sub> = 1.0 μA,		0.7		
	F	M = 10, f = 35 MHz, B = 1 MHz		5		

\*1  $\delta = \frac{V_{BR}(25^\circ\text{C} + \Delta T^\circ\text{C}) - V_{BR}(25^\circ\text{C})}{\Delta T^\circ\text{C} \cdot V_{BR}(25^\circ\text{C})}$

\*2  $F = M^x$

**ELECTRO-OPTICAL CHARACTERISTICS (T<sub>APD</sub> = 25°C, T<sub>C</sub> = -20 to +55°C, unless otherwise specified)**

Parameter	Symbol	Conditions	MIN.	TYP.	MAX.	Unit
Thermistor Resistance	R		9.5	10.0	10.5	kΩ
B Constant	B		3 350	3 450	3 550	K
Cooler Current	I <sub>c</sub>	ΔT = 45°C		0.6	0.8	A
Cooler Voltage	V <sub>c</sub>	I <sub>c</sub> = 0.8 A		1.1	1.5	V
Cooling Capacity	ΔT <sup>-1</sup>	I <sub>c</sub> = 0.8 A	45			°C

\*1  $\Delta T = |T_C - T_{APD}|$

<R> **REFERENCE**

Document Name	Document No.
Opto-Electronics Devices Pamphlet	PX10160E

**SAFETY INFORMATION ON THIS PRODUCT**

<p><b>Caution</b> GaAs Products</p>	<p>This product uses gallium arsenide (GaAs). GaAs vapor and powder are hazardous to human health if inhaled or ingested, so please observe the following points.</p> <ul style="list-style-type: none"> <li>• Follow related laws and ordinances when disposing of the product. If there are no applicable laws and/or ordinances, dispose of the product as recommended below.               <ol style="list-style-type: none"> <li>1. Commission a disposal company able to (with a license to) collect, transport and dispose of materials that contain arsenic and other such industrial waste materials.</li> <li>2. Exclude the product from general industrial waste and household garbage, and ensure that the product is controlled (as industrial waste subject to special control) up until final disposal.</li> </ol> </li> <li>• Do not burn, destroy, cut, crush, or chemically dissolve the product.</li> <li>• Do not lick the product or in any way allow it to enter the mouth.</li> </ul>
<p><b>Caution</b> Optical Fiber</p>	<p>A glass-fiber is attached on the product. Handle with care.</p> <ul style="list-style-type: none"> <li>• When the fiber is broken or damaged, handle carefully to avoid injury from the damaged part or fragments.</li> </ul>

## NOTICE

1. Descriptions of circuits, software and other related information in this document are provided only to illustrate the operation of semiconductor products and application examples. You are fully responsible for the incorporation of these circuits, software, and information in the design of your equipment. California Eastern Laboratories and Renesas Electronics assumes no responsibility for any losses incurred by you or third parties arising from the use of these circuits, software, or information.
2. California Eastern Laboratories has used reasonable care in preparing the information included in this document, but California Eastern Laboratories does not warrant that such information is error free. California Eastern Laboratories and Renesas Electronics assumes no liability whatsoever for any damages incurred by you resulting from errors in or omissions from the information included herein.
3. California Eastern Laboratories and Renesas Electronics do not assume any liability for infringement of patents, copyrights, or other intellectual property rights of third parties by or arising from the use of Renesas Electronics products or technical information described in this document. No license, express, implied or otherwise, is granted hereby under any patents, copyrights or other intellectual property rights of California Eastern Laboratories or Renesas Electronics or others.
4. You should not alter, modify, copy, or otherwise misappropriate any Renesas Electronics product, whether in whole or in part. California Eastern Laboratories and Renesas Electronics assume no responsibility for any losses incurred by you or third parties arising from such alteration, modification, copy or otherwise misappropriation of Renesas Electronics product.
5. Renesas Electronics products are classified according to the following two quality grades: "Standard" and "High Quality". The recommended applications for each Renesas Electronics product depends on the product's quality grade, as indicated below. "Standard": Computers; office equipment; communications equipment; test and measurement equipment; audio and visual equipment; home electronic appliances; machine tools; personal electronic equipment; and industrial robots etc. "High Quality": Transportation equipment (automobiles, trains, ships, etc.); traffic control systems; anti-disaster systems; anti-crime systems; and safety equipment etc. Renesas Electronics products are neither intended nor authorized for use in products or systems that may pose a direct threat to human life or bodily injury (artificial life support devices or systems, surgical implantations etc.), or may cause serious property damages (nuclear reactor control systems, military equipment etc.). You must check the quality grade of each Renesas Electronics product before using it in a particular application. You may not use any Renesas Electronics product for any application for which it is not intended. California Eastern Laboratories and Renesas Electronics shall not be in any way liable for any damages or losses incurred by you or third parties arising from the use of any Renesas Electronics product for which the product is not intended by California Eastern Laboratories or Renesas Electronics.
6. You should use the Renesas Electronics products described in this document within the range specified by California Eastern Laboratories, especially with respect to the maximum rating, operating supply voltage range, movement power voltage range, heat radiation characteristics, installation and other product characteristics. California Eastern Laboratories shall have no liability for malfunctions or damages arising out of the use of Renesas Electronics products beyond such specified ranges.
7. Although Renesas Electronics endeavors to improve the quality and reliability of its products, semiconductor products have specific characteristics such as the occurrence of failure at a certain rate and malfunctions under certain use conditions. Further, Renesas Electronics products are not subject to radiation resistance design. Please be sure to implement safety measures to guard them against the possibility of physical injury, and injury or damage caused by fire in the event of the failure of a Renesas Electronics product, such as safety design for hardware and software including but not limited to redundancy, fire control and malfunction prevention, appropriate treatment for aging degradation or any other appropriate measures. Because the evaluation of microcomputer software alone is very difficult, please evaluate the safety of the final products or systems manufactured by you.
8. Please contact a California Eastern Laboratories sales office for details as to environmental matters such as the environmental compatibility of each Renesas Electronics product. Please use Renesas Electronics products in compliance with all applicable laws and regulations that regulate the inclusion or use of controlled substances, including without limitation, the EU RoHS Directive. California Eastern Laboratories and Renesas Electronics assume no liability for damages or losses occurring as a result of your noncompliance with applicable laws and regulations.
9. Renesas Electronics products and technology may not be used for or incorporated into any products or systems whose manufacture, use, or sale is prohibited under any applicable domestic or foreign laws or regulations. You should not use Renesas Electronics products or technology described in this document for any purpose relating to military applications or use by the military, including but not limited to the development of weapons of mass destruction. When exporting the Renesas Electronics products or technology described in this document, you should comply with the applicable export control laws and regulations and follow the procedures required by such laws and regulations.
10. It is the responsibility of the buyer or distributor of California Eastern Laboratories, who distributes, disposes of, or otherwise places the Renesas Electronics product with a third party, to notify such third party in advance of the contents and conditions set forth in this document, California Eastern Laboratories and Renesas Electronics assume no responsibility for any losses incurred by you or third parties as a result of unauthorized use of Renesas Electronics products.
11. This document may not be reproduced or duplicated in any form, in whole or in part, without prior written consent of California Eastern Laboratories.
12. Please contact a California Eastern Laboratories sales office if you have any questions regarding the information contained in this document or Renesas Electronics products, or if you have any other inquiries.

**NOTE 1:** "Renesas Electronics" as used in this document means Renesas Electronics Corporation and also includes its majority-owned subsidiaries.

**NOTE 2:** "Renesas Electronics product(s)" means any product developed or manufactured by or for Renesas Electronics.

**NOTE 3:** Products and product information are subject to change without notice.

**CEL Headquarters** • 4590 Patrick Henry Drive, Santa Clara, CA 95054 • Phone (408) 919-2500 • [www.cel.com](http://www.cel.com)

For a complete list of sales offices, representatives and distributors,  
Please visit our website: [www.cel.com/contactus](http://www.cel.com/contactus)