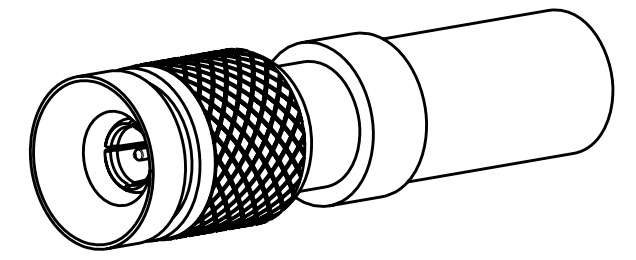
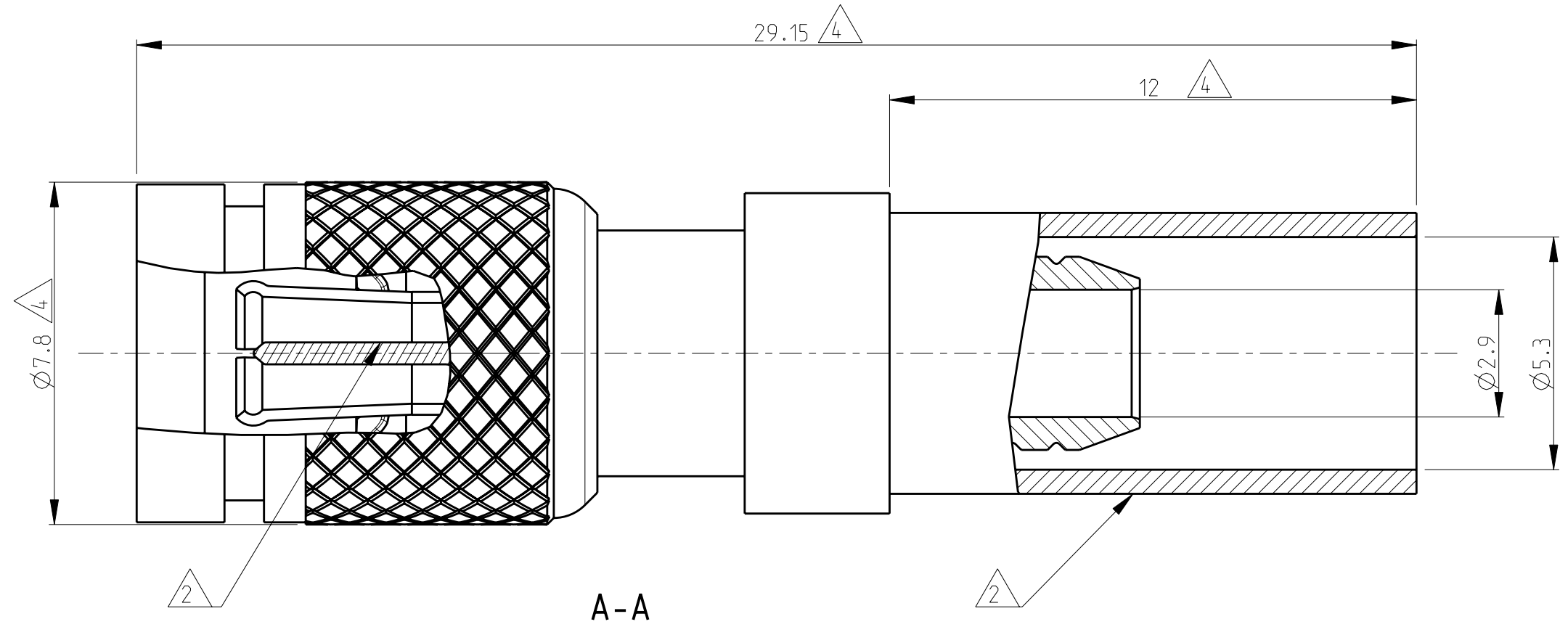
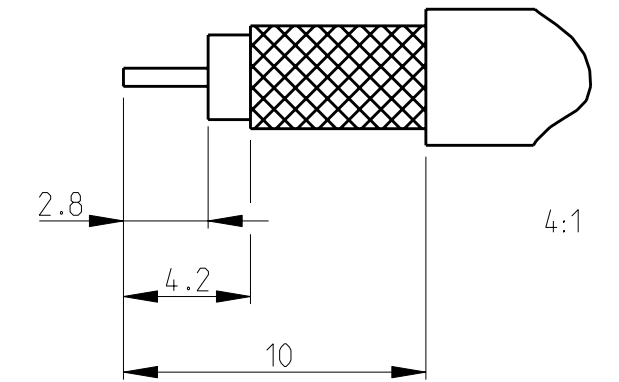


THIS DRAWING IS UNPUBLISHED. RELEASED FOR PUBLICATION 2000  
 © COPYRIGHT 2000 BY TYCO ELECTRONICS CORPORATION. ALL RIGHTS RESERVED.

LOC	DIST	REVISIONS			
P	LTR	DESCRIPTION	DATE	DWN	APVD
	o	SR10-0182-01	04MAY2001	BL	KM
	B	ECR-07-001416	18JAN2007	MS	DB



Stripping dimensions



1) Dimensions of mating face according to IEC 169-29 and CECC 22230.

- 2) Supplied as loose part
- 3) DIN ISO 8015 ; DIN ISO 2768-mH
- 4) Max. dimensions.
- 5) Bulk packaging

1460016-3 5	RA-7000	Body	Brass	Ni
		Dielectric	PTFE	-
		Center conductor	Cu Be/Brass	Au over Ni
		Outer conductor	Cu Be	Au over Ni
Tyco P/N	Cable type	Description	Material	Plating

<small>THIS DRAWING IS A CONTROLLED DOCUMENT FOR TYCO ELECTRONICS CORPORATION. IT IS SUBJECT TO CHANGE AND THE CONTROLLING ENGINEERING ORGANIZATION SHOULD BE CONTACTED FOR THE LATEST REVISION.</small>													
DIMENSIONS: mm	TOLERANCES UNLESS OTHERWISE SPECIFIED: <table border="0"> <tr><td>0 PLC</td><td>±</td></tr> <tr><td>1 PLC</td><td>±</td></tr> <tr><td>2 PLC</td><td>±</td></tr> <tr><td>3 PLC</td><td>±</td></tr> <tr><td>4 PLC</td><td>±</td></tr> <tr><td>ANGLES</td><td>±</td></tr> </table>	0 PLC	±	1 PLC	±	2 PLC	±	3 PLC	±	4 PLC	±	ANGLES	±
0 PLC	±												
1 PLC	±												
2 PLC	±												
3 PLC	±												
4 PLC	±												
ANGLES	±												
MATERIAL	FINISH												

DWN B. Lenvain	15FEB2001	Tyco Electronics Lugano - Switzerland
CHK K. Mattheeuws	16FEB2001	
APVD R. Leeman	-	
PRODUCT SPEC		NAME Cable plug 1.0/2.3
APPLICATION SPEC		SIZE A3
WEIGHT		CAGE CODE 00779
CUSTOMER DRAWING		DRAWING NO 1460016
SCALE 8/1		RESTRICTED TO -
SHEET 1 OF 1		REV B

