

VIEW ON MATING SIDE

∞	A	A	A	A	A	A	A	A	A	A	A	A	A	A	A	A	A	A	A	A
◁	A	A	A	A	A	A	A	A	A	A	A	A	A	A	A	A	A	A	A	A
	1	2	3	4	5	6	7	8	9	10	11	12	13	14	15	16	17	18	19	20

A = 32 CONTACTS L=4,5

Marking	Standard
Performance level	G1/O = Contact area level / Termination fin
Flux proof	no
Fixing clip	no
Dimensions	SDA-85040-0002 sht.1
Technical Data	PS-85042-0001

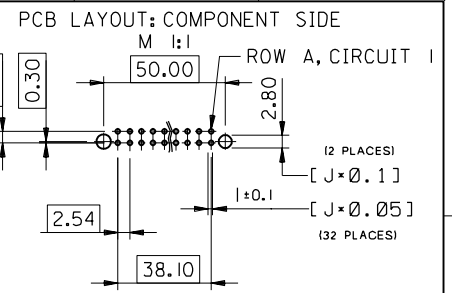
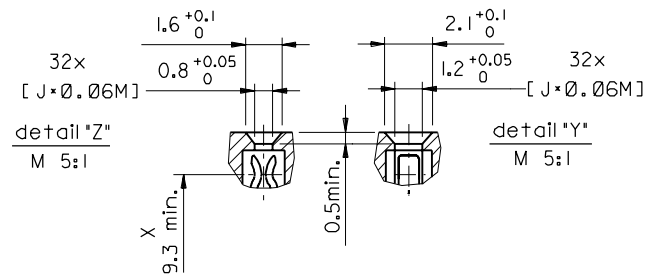
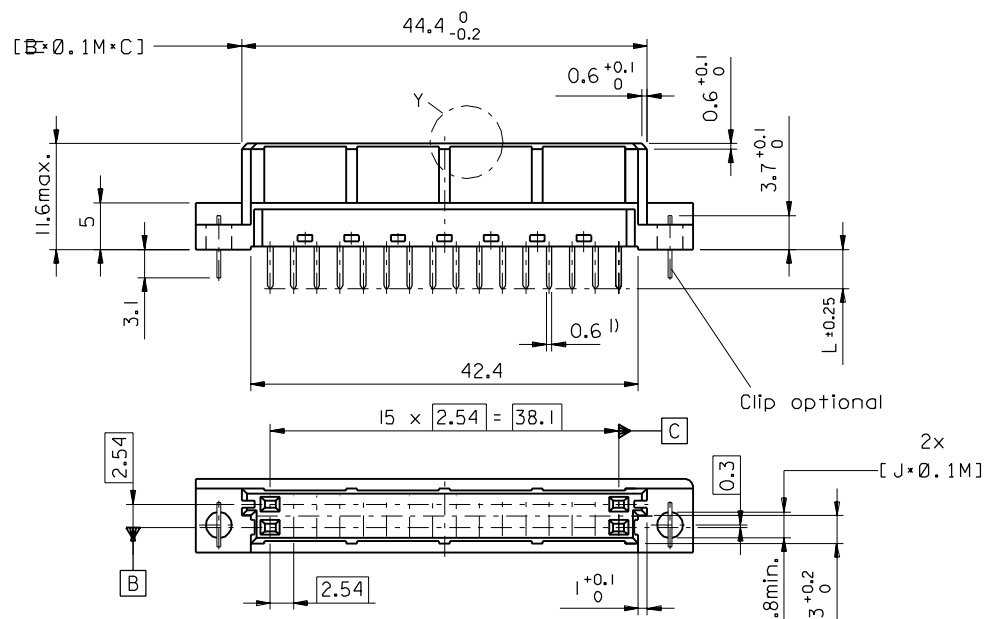
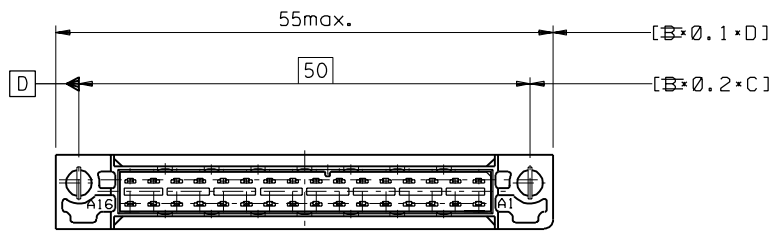
A	G1/O	a1-16	b1-16
Contact symbol	Perform. level	Contact position number	

ECN MG1998-2554 first release	REVISIONS		FOR PREVIOUS REVISIONS SEE MRI LIST	
	REVISIONS	DATE	BY	REASON
▷	LTR	DATE	BY	REASON

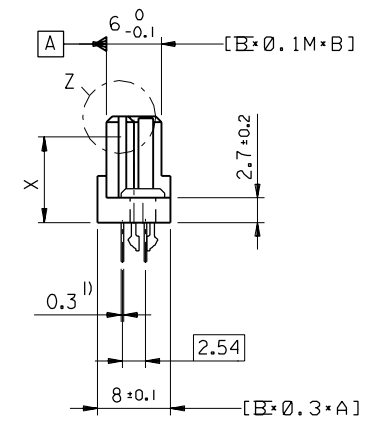
UNLESS OTHERWISE SPECIFIED TOLERANCES: ANGULAR ± 2°	DRWG BY	SIGN	SH. REV.
INCH	KN		THIS DRAWING CONTAINS INFORMATION THAT IS PROPRIETARY TO MOLEX INC. & SHOULD NOT BE USED WITHOUT WRITTEN PERMISSION
METRIC	CHK'D BY	SIGN	
3 PLACE ± .	Ca		
2 PLACE ± .	APP'D BY	SIGN	
1 PLACE ± .	JB		
DRAFT WHERE APPLICABLE MUST REMAIN WITHIN DIMENSIONS	SCALE		
DESIGN DIMENSION <input type="checkbox"/> MM <input type="checkbox"/> IN.			
EQUIVALENT DIMENSION <input type="checkbox"/> MM <input type="checkbox"/> IN.			
IF TWO DIMENSIONS ARE SHOWN, THE UPPER IS THE DESIGN DIMENSION, LOWER IS SECONDARY			

CAD/CAM PROJECT NAME	SHEET NO.	DATE
S8504007 s11	1 OF 1	97/07/30
TITLE		
32 pos. female connector acc. DIN 41612 style B/2 contacts arrangement		
MOLEX EUROPE		DWG NO.
PART NO.		SD-85040-0713
SIZE		A

PART NO.
DWG. NO.



1) tails to fit in PC-board layout



FIRST ANGLE PROJECTION		REVISE ONLY ON CAD SYSTEM		SH.	REV.
UNLESS OTHERWISE SPECIFIED TOLERANCES: ANGULAR ± 2°		DRWG BY	SIGN	CAD/CAM PROJECT NAME	
INCH METRIC		KN		85040000	
3 PLACE ± ±		CHK'D BY	SIGN	THIS DRAWING CONTAINS INFORMATION THAT IS PROPRIETARY TO MOLEX INC. & SHOULD NOT BE USED WITHOUT WRITTEN PERMISSION	
2 PLACE ± ±		Ca		TITLE	
1 PLACE ± ±		APP'D BY	SIGN	32pos. Female connector	
DRAFT WHERE APPLICABLE MUST REMAIN WITHIN DIMENSIONS		FB		DIN 41612 style B/2,	
DESIGN DIMENSION <input checked="" type="checkbox"/> MM		SCALE		with clip, Dimensions	
EQUIVALENT DIMENSION <input type="checkbox"/> MM		2:1		MOLEX EUROPE	
IF TWO DIMENSIONS ARE SHOWN THE UPPER IS THE DESIGN DIMENSION, LOWER IS SECONDARY				SHEET NO. DATE	
				1 OF 1 96/04/23	
				PART NO. DWG NO. SIZE	
				SDA-85040-0002 B	

ECN MG1998-2727
new fixing clip
98-04-14 Co