

4

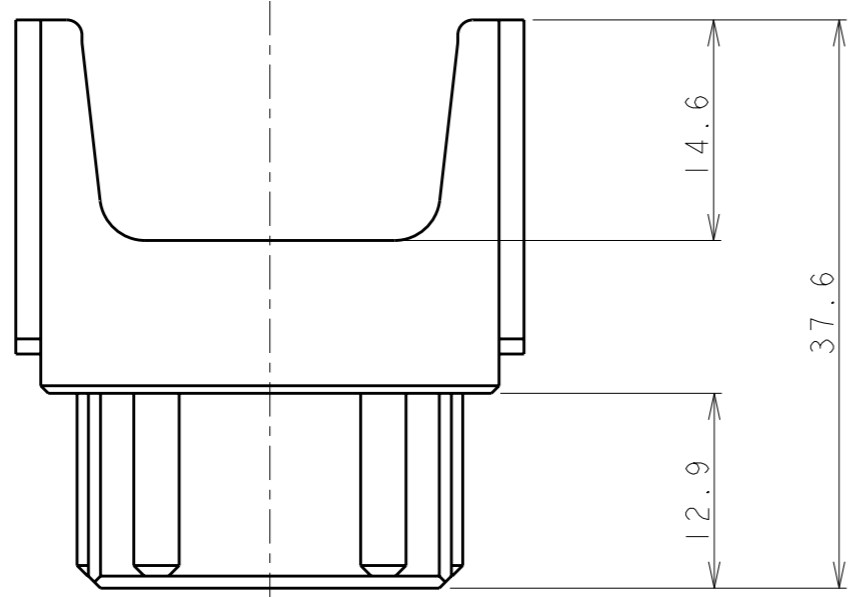
3

2

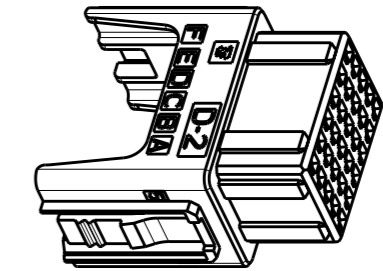
1

THIS DRAWING IS UNPUBLISHED. RELEASED FOR PUBLICATION 2005
 © COPYRIGHT 2005 BY TYCO ELECTRONICS CORPORATION. ALL INTERNATIONAL RIGHTS RESERVED.

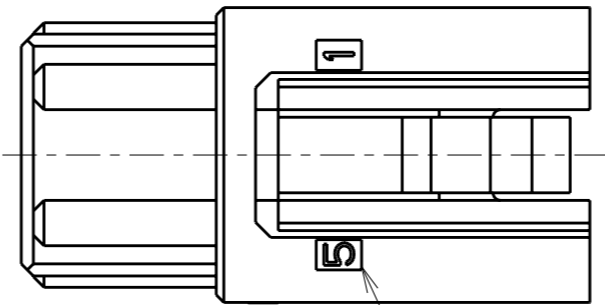
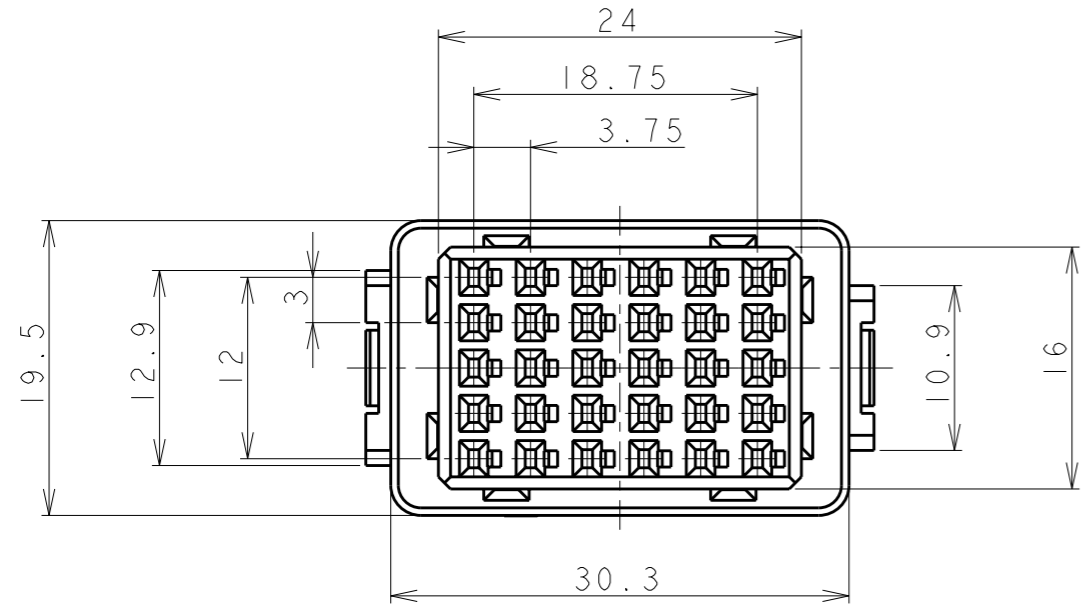
LOC	DIST	REVISIONS					
J		P	LTR	DESCRIPTION	DATE	DWN	APVD
		C		REVISED PER ECR-10-017569	25AUG2010	HMR	T.M



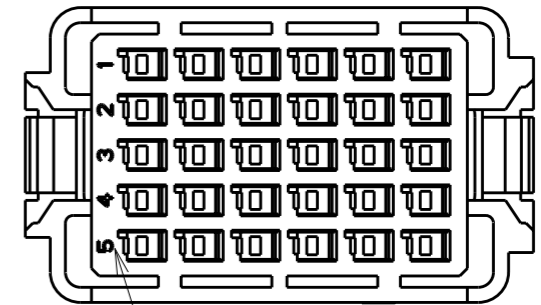
1747365-1: AS SHOWN



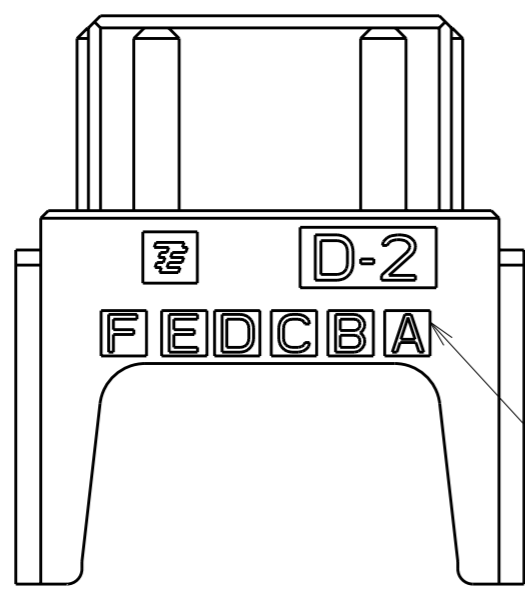
SCALE 1:1



CIRCUIT NO
回路番号



CIRCUIT NO
回路番号



CIRCUIT NO
回路番号

1. 材料: ガラス入り熱可塑性ポリエステル樹脂
色: 黒色
2. HTSコネクタモジュール固定フレーム使用型番
 サイズ"3: 0-1108784-1
 サイズ"4: 0-1108783-1, 0-1108783-2
 サイズ"6: 0-1108782-1, 0-1108782-2
 サイズ"8: 0-1108780-1, 0-1108780-2

1. MATERIAL: GLASS FIELD THERMO PLASTIC, POLYESTER
COLOR: BLACK
2. HTS CONNECTOR MODULE FIXATION FRAME USE P/No
 SIZE3: 0-1108784-1
 SIZE4: 0-1108783-1, 0-1108783-2
 SIZE6: 0-1108782-1, 0-1108782-2
 SIZE8: 0-1108780-1, 0-1108780-2

<small>THIS DRAWING IS A CONTROLLED DOCUMENT FOR TYCO ELECTRONICS CORPORATION IT IS SUBJECT TO CHANGE AND THE CONTROLLING ENGINEERING ORGANIZATION SHOULD BE CONTACTED FOR THE LATEST REVISION.</small>		DWN 31AUG2005 T. SAKAMOTO CHK 31AUG2005 D. MITSUGI APVD 31AUG2005 D. MITSUGI		Tyco Electronics Corporation Kawasaki, Japan	
DIMENSIONS: 単位: 耗 mm		TOLERANCES UNLESS OTHERWISE SPECIFIED: 一般公差 0-PLC ± ±0.35 1-PLC ± ±3° 2-PLC ± ±3° 3-PLC ± ± 4-PLC ± ± ANGLES ± ±		NAME 名称 REC HSG 30P DYNAMIC D-2800SERIES WITH HTS CONNECTOR	
MATERIAL 材料 注記参照 SEE NOTES		FINISH 仕上		PRODUCT SPEC 製品規格 108-78284 APPLICATION SPEC 取付適用規格 114-5258 WEIGHT	
		CUSTOMER DRAWING		SIZE A3 CAGE CODE 00779 DRAWING NO C-1747365 RESTRICTED TO	
		SCALE 2:1 SHEET 1 OF 1 REV C			