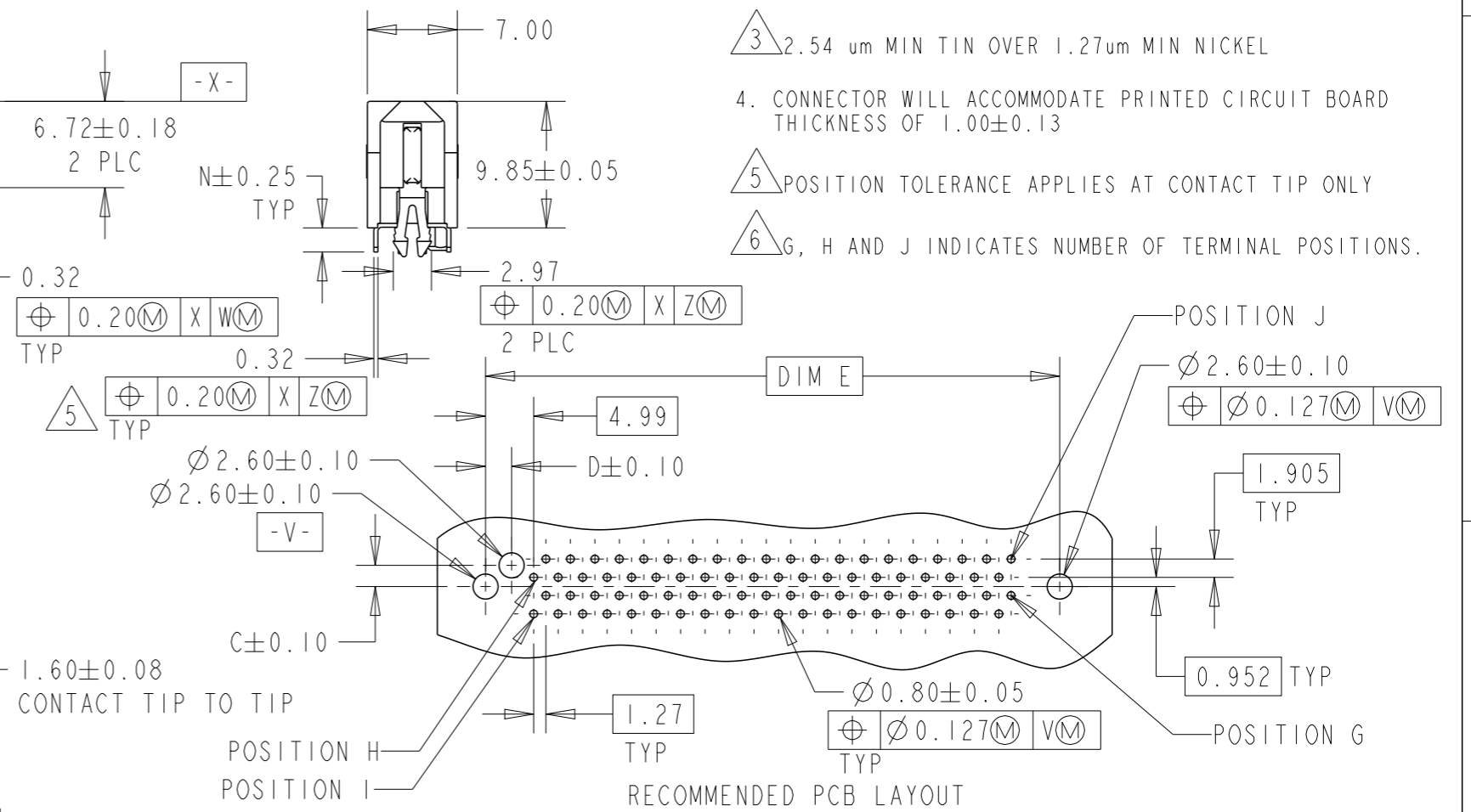
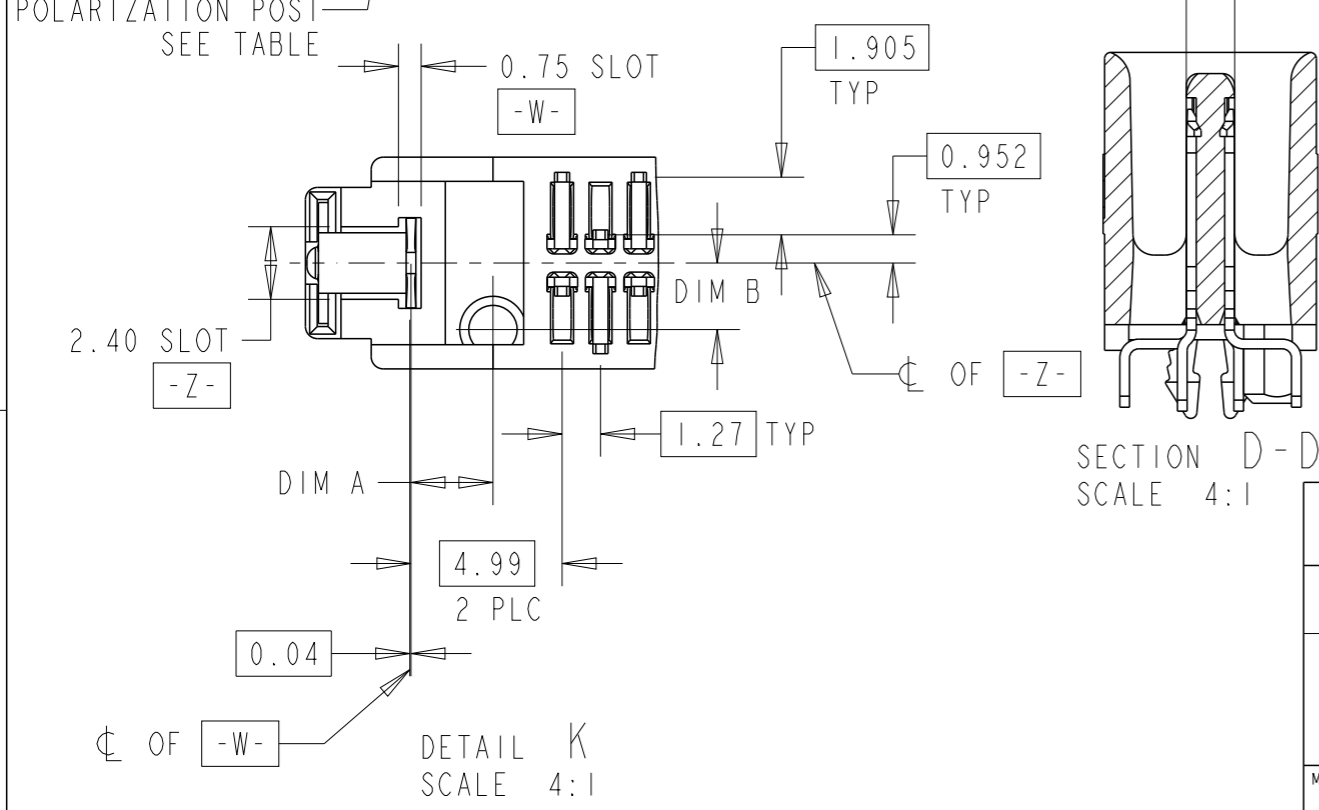
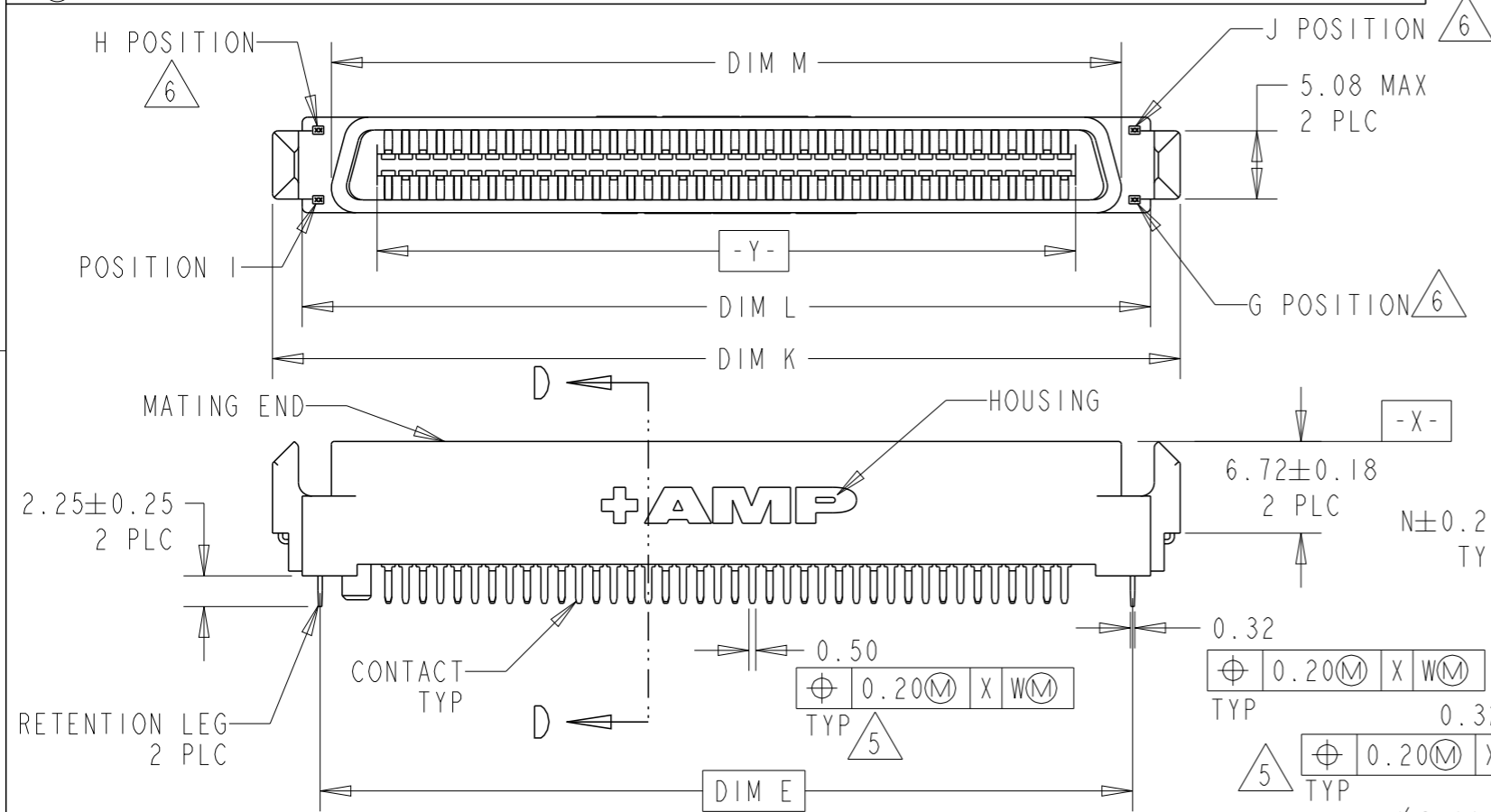


THIS DRAWING IS UNPUBLISHED. RELEASED FOR PUBLICATION .19  
 © COPYRIGHT 19 BY AMP INCORPORATED. ALL RIGHTS RESERVED.

LOC		DIST		REVISIONS				
DY	-	P	LTR	DESCRIPTION	DATE	DWN	APVD	
		A		REVISED ECR-12-011098	07JAN2013	AZ	AC	



- 1 HOUSING: LCP, UL 94V-0 RATED, BLACK  
CONTACTS: PHOSPHOR BRONZE  
RETENTION LEGS: BRASS
- 2 0.76um MIN GOLD FOR A LENGTH 2.00 STARTING 1.00 MAX FROM MATING END, 3.81um MIN TIN FOR A LENGTH OF 2.03 MIN FROM OPPOSITE END, BOTH OVER 1.27um MIN NICKEL
- 3 2.54 um MIN TIN OVER 1.27um MIN NICKEL
- 4. CONNECTOR WILL ACCOMMODATE PRINTED CIRCUIT BOARD THICKNESS OF 1.00±0.13
- 5 POSITION TOLERANCE APPLIES AT CONTACT TIP ONLY
- 6 G, H AND J INDICATES NUMBER OF TERMINAL POSITIONS.

OBSOLETE	YES	3.18	32.47	36.75	41.10	40	21	20	34.11	2.70	2.20	2.20	2.70	40	5084488-6
	YES	3.18	57.87	62.15	66.50	80	41	40	59.51	2.70	2.20	2.20	2.70	80	5084488-5
	YES	1.78	32.47	36.75	41.10	40	21	20	34.11	2.70	2.20	2.20	2.70	40	5084488-3
	YES	1.78	57.87	62.15	66.50	80	41	40	59.51	2.70	2.20	2.20	2.70	80	5084488-1
POST REF	N	M	L	K	J	H	G	E	D	C	B	A	POS.	PART NO.	

THIS DRAWING IS A CONTROLLED DOCUMENT FOR AMP INCORPORATED. IT IS SUBJECT TO CHANGE AND THE CONTROLLING ENGINEERING ORGANIZATION SHOULD BE CONTACTED FOR THE LATEST REVISION.

DWN WYLEE 19JAN05  
 CHK VINCENT TAN  
 APVD SEIFONG  
 PRODUCT SPEC 108-1548  
 APPLICATION SPEC 114-6061  
 WEIGHT -

**tyco** Tyco Electronics  
**Electronics** Singapore Pte. Ltd.

NAME: PLUG ASSEMBLY, VERTICAL, CHAMP BLINDMATE .050 SERIES I

SIZE A3 CAGE CODE 00779 DRAWING NO C=5084488

CUSTOMER DRAWING SCALE 2:1 SHEET 1 OF 1 REV A