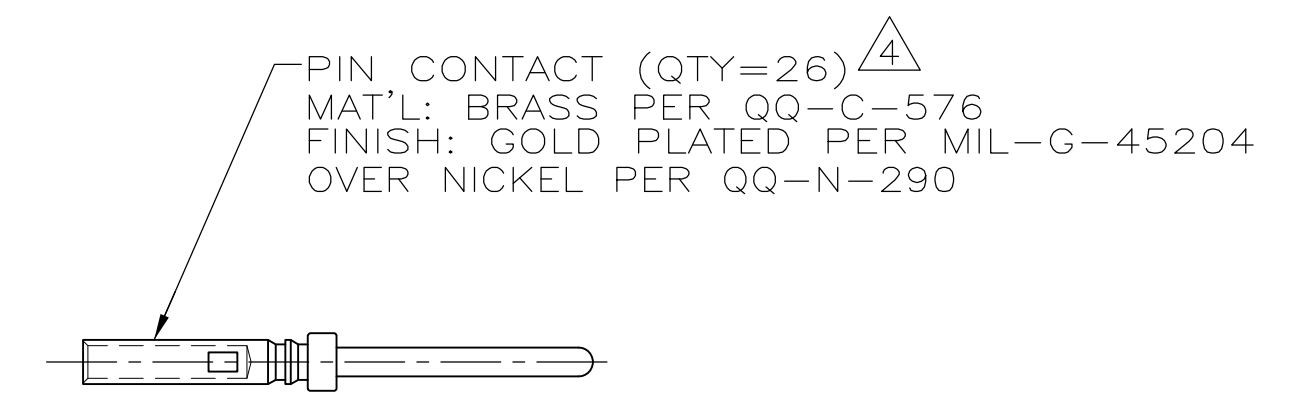
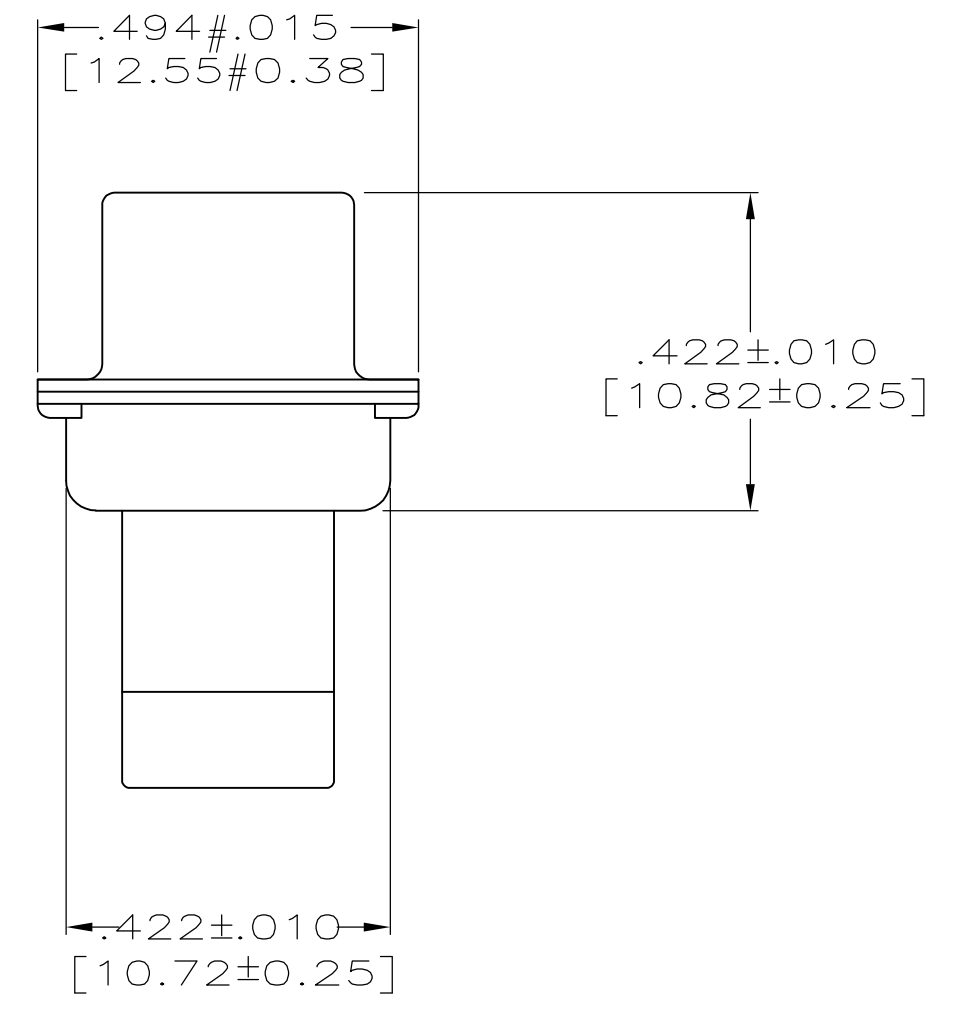
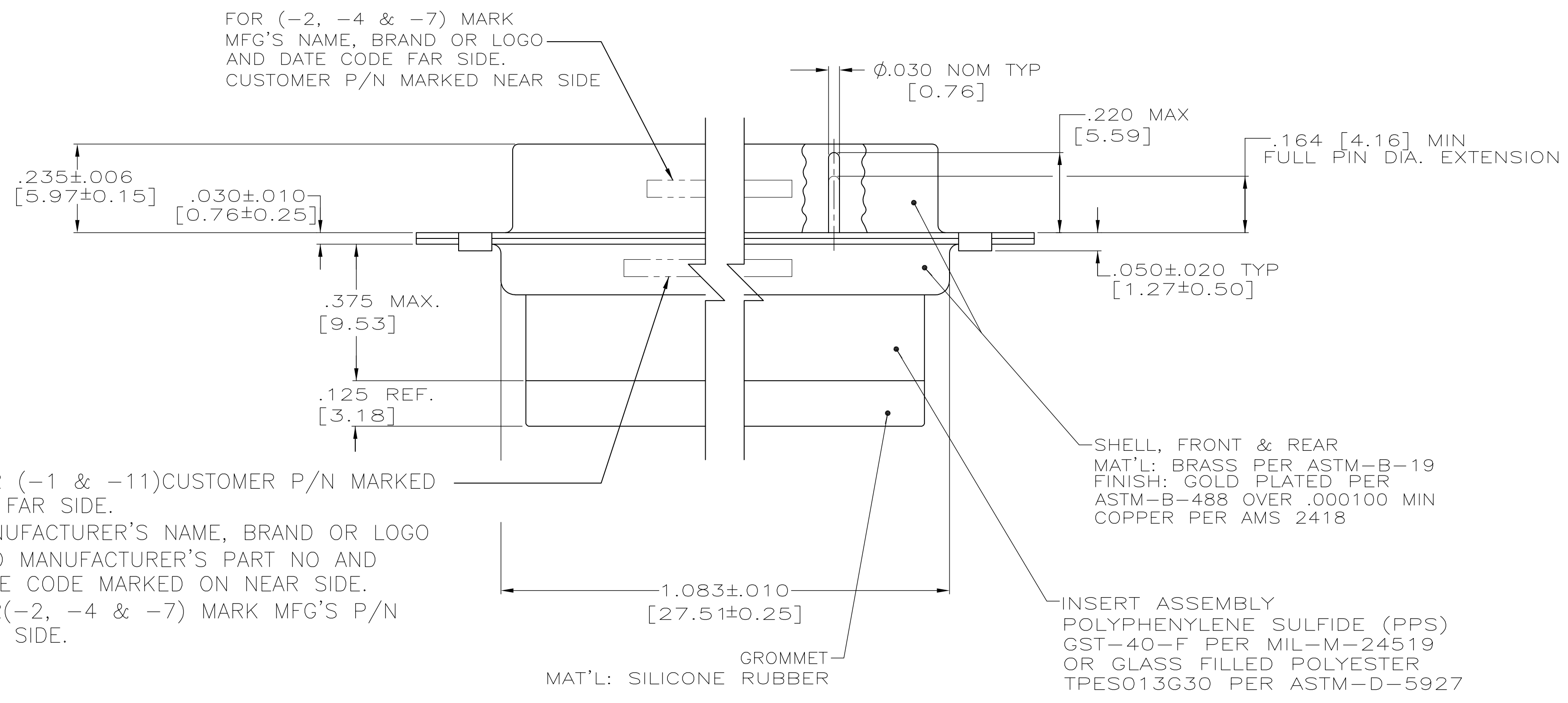


- THIS PLUG WILL MATE WITH ANY SIZE 2, 26 POSN. RCPT. IN AMPLIMITE SERIES.
 - CONNECTOR SUPPLIED WITHOUT CONTACTS; SHOWN FOR ILLUSTRATION ONLY.
 - BE-CU RETENTION CLIPS ARE INCLUDED AND INSTALLED WITH TINES POINTING TOWARDS MATING FACE.
 - ONLY PART NO. 211674-7 IS SUPPLIED WITH CONTACTS.
 - OVERALL DIMENSIONS DO NOT INCLUDE RAISED CAVITY IDENTIFICATION.
 - MARKING ON FAR SIDE REFERS TO WIDE SIDE OF KEYSTONE. NEAR SIDE REFERS TO NARROW SIDE OF KEYSTONE.
- \triangle 100% INSPECTION REQUIRED PER BOEING 1B01:
 A. VISUAL
 B. DWV
 C. IR
- \triangle CUSTOMER REQUIRES SINGLE LOT DATE CODE.
- \triangle SPECIAL REQUIREMENTS:
 A. TEST TWO CONNECTORS PER LOT FOR COMPLIANCE TO GROMMET PEEL STRENGTH REQUIREMENTS.
 B. TEST ALL CIRCUIT CAVITIES FOR MISALIGNMENT OR EXCESSIVE ADHESIVE.



\triangle 1	1B01-032PHW	1-211674-1
\triangle 4	B010648-0003	211674-7
		211674-4
\triangle 9	2A065-014V-001	211674-2
\triangle 8	1B01-032	211674-1
REMARKS	CUSTOMER PART NO.	PART NO.

THIS DRAWING IS A CONTROLLED DOCUMENT.

DIMENSIONS: INCHES [mm]	TOLERANCES UNLESS OTHERWISE SPECIFIED:	DWG: C.C. THOMAS 12-19-90	CHK: F. KINSEY 12-20-90	APVD: F. KINSEY 12-20-90	NAME: Tyco Electronics Corporation Harrisburg, PA 17105-3608
0 PLC ± -	1 PLC ± -	2 PLC ± -	3 PLC ± .005 [0.13]	4 PLC ± -	ANGLES ± -
MATERIAL SEE CALLOUTS	FINISH SEE CALLOUTS	WEIGHT -	SIZE A1	CAGE CODE 00779	DRAWING NO. 211674
CUSTOMER DRAWING		SCALE 4:1	SHEET 1 OF 1	REV M	